



SPL - G



DESCRIPTION

The SPL-G outdoor lighting fixture stands out for its versatility and suitability for various locations, especially small streets in residential areas. Designed to meet all EU road standards, it features adjustable power (10W–50W), adaptable optics and high-efficiency LEDs for precise, energy-saving illumination. With a 100,000-hour lifespan, corrosion-resistant housing and an EPD certification, it ensures long-term durability and sustainability at an excellent price-to-quality ratio.

APPLICATIONS

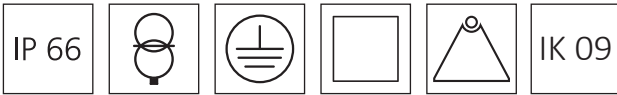
The SPL-G is a versatile outdoor lighting solution ideal for small residential streets and various applications. It could be successfully used in: streets, highway roads, parking lots, railway platforms, pedestrian areas, parks and bike paths, as well as urban infrastructure or recreational spaces.

BENEFITS

- **Reliable Quality:** Designed and manufactured by ENIM, a trusted EU producer, meeting all EU road requirements and certifications.
- **Universal Application:** A highly versatile lighting fixture with a minimalist design, making it the perfect “off-the-shelf” solution for a wide range of projects.
- **Excellent Price-to-Quality Ratio:** Offers an affordable solution, ensuring top performance and durability without excessive costs.
- **Superior Efficiency:** Advanced technology with high-efficiency LEDs for maximum performance.
- **Flexible Power Options:** Ranges from 10W to 50W, tailored for various lighting applications.
- **Adaptable Optics:** Wide range of optic types ensures precise lighting for diverse applications.
- **Enhanced Light Quality & Flexibility:** Color temperature options of 2700K, 3000K and 4000K guarantee excellent color accuracy and adaptable lighting.
- **Engineered for Longevity:** Built to last 100,000 hours (L95 B10), with corrosion-resistant aluminum housing.
- **Sustainability & Environmental Transparency:** EPD certificate ensures low carbon emissions and eco-friendly materials.



TECHNICAL INFORMATION:

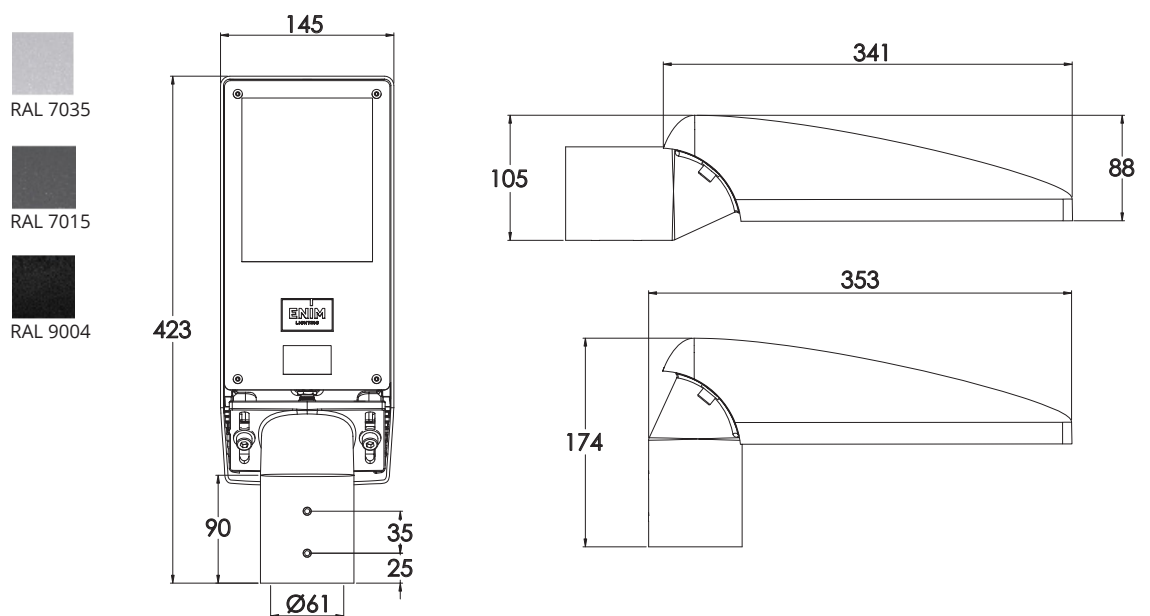


ELECTRICAL	V	Input voltage	220-240
	Hz	Rated voltage	50-60 Hz
	W	Luminaire wattage	10 to 50
	Cosp	Power factor	≥ 0.95
OPTICAL	Lm	Luminous flux	1386-7300
	Lm/W	Luminous efficacy	Up to 165 lm/W
	K	Color temperature	2700/3000/4000
	Tg	Performance temperature	25 °C
	C°	Ambient temperature range	-40 °C ≤ Ta ≤ +50 °C 10-40 W -40 °C ≤ Ta ≤ +45 °C 45-50 W
	CRI	Color rendering index	≥70

Number of LED's	8				16		
Power	10 W	20 W	10 W	20 W	30 W	40 W	50 W
Luminous Flux, Lm	139-166	129-154	140-171	136-166	133-161	126-154	121-146
Efficacy, Lm/W	1390-1660	2580-3080	1400-1710	2720-3320	3990-4830	5040-6160	6050-7300

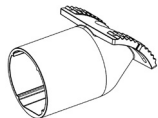
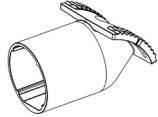
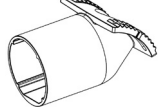
Chromatic tolerance (original MacAdam)	Not higher than 5
Life expectancy L/B	L95 B10 by 100000 hrs (Ta = 25 °C)

HOUSING	Size	341 mm x 145 mm x 88 mm
	Weight	max 3,2 kg
	Body material	Heat sink: cast aluminium, painted
	Installation	Adjustable bracket: angle -5° +15°, Ø 42-60 mm, (60-76 mm optional)



OPTICS	Optical cover	Glass, thermally hardened
	Light source	Power LED
	Optics	Asymmetric optics lens
	Maintenance	No internal cleaning required
	Protection against light pollution	0 candela light emission above 90°

DRIVER	Input voltage	180 – 264VAC, 176 – 280 VDC
	Intelligent temperature Guard (ITG)	The intelligent temperature guard protects the LED driver from thermal overheating by reducing the output power or switching off in case of operation above the thermal limits of the luminaire or ballast. Depending on the luminaire design, the ITG operates at about 5 to 10 °C above tc temperature. If temperature threshold values are exceeded, the LED output current is limited
	Oversvoltage with a variable surge protection	N/L – 10kV, P/(N/L) - 10kV
	Interfaces	Optional

OPTIONAL	Accessories		
	Code	Name	
	MET0169-1	SPL-G bracket Ø76mm RAL7035	
	MET0169-2	SPL-G bracket Ø76mm RAL7015	
	MET0169-3	SPL-G bracket Ø76mm RAL9005	

REMARKS	CLO	The light output of an LED module reduces over the course of its lifetime. The Constant Light Output (eCLO) function compensates for this natural decline by constantly increasing the output current of the LED driver throughout its lifetime
	Power factor ((Cosφ)	≥ 0.95
	Recommended mounting height	max 10 m
		Luminaires are ready to install

LOGISTIC DETAILS:

Full pallet size/cm L*W*H	Number of luminaires per row	Number of rows	QTY per pallet/pcs
120 X 80 X 120	11	6	66
Volume per pallet	Kg per pallet		
		Netto	Brutto
	0,993 m³	221,95	246,96

