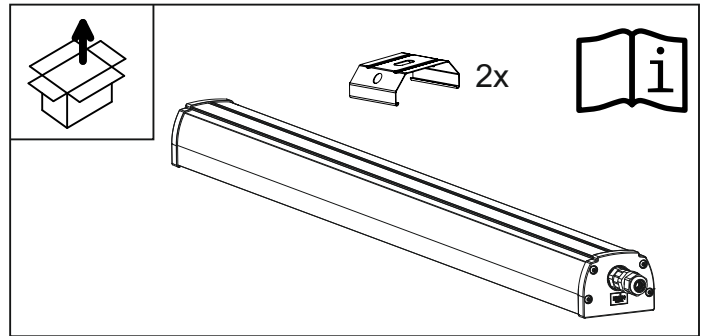
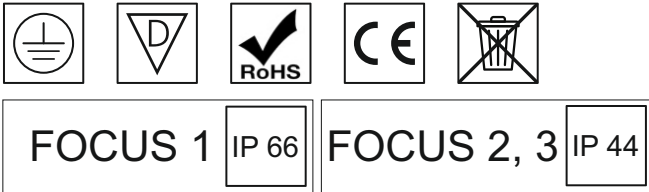


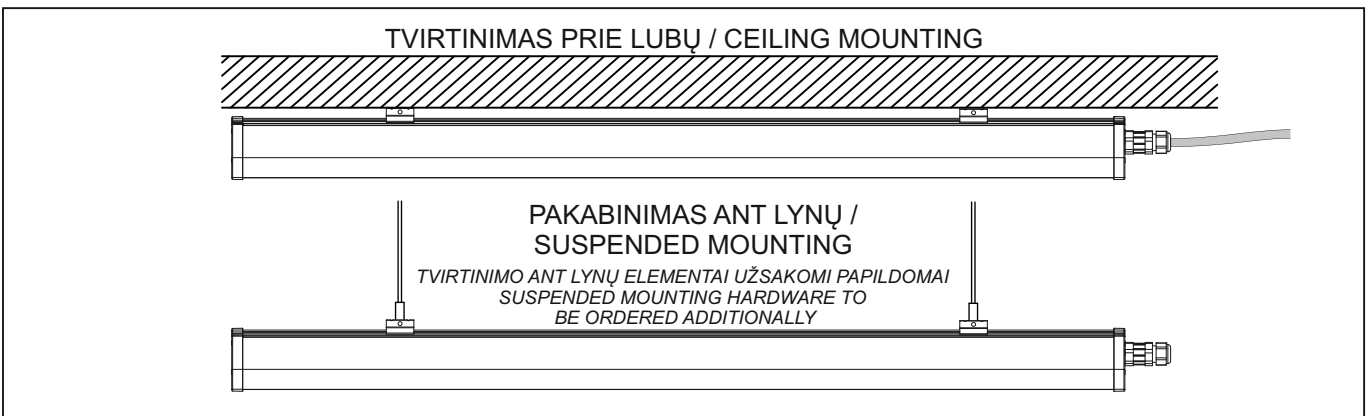
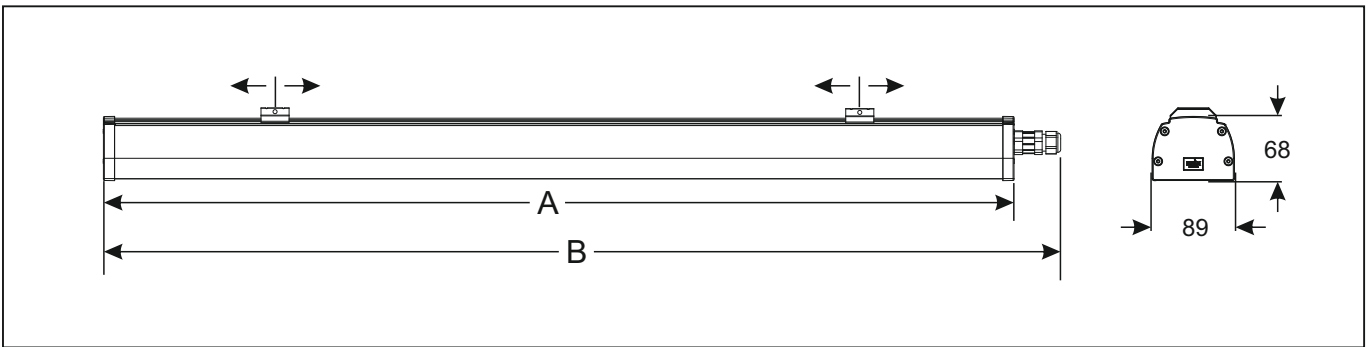
FOCUS 1, 2, 3

Montavimo instrukcija / Mounting instruction



Tik kvalifikuotas personalas gali atlikti šviestuvo montavimą ir pajungimą.
The installation has to be carried out by an electrician or by any similarly qualified person.

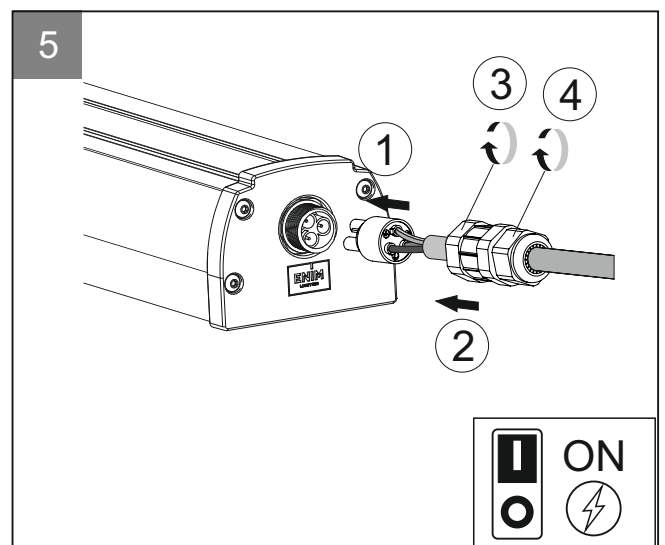
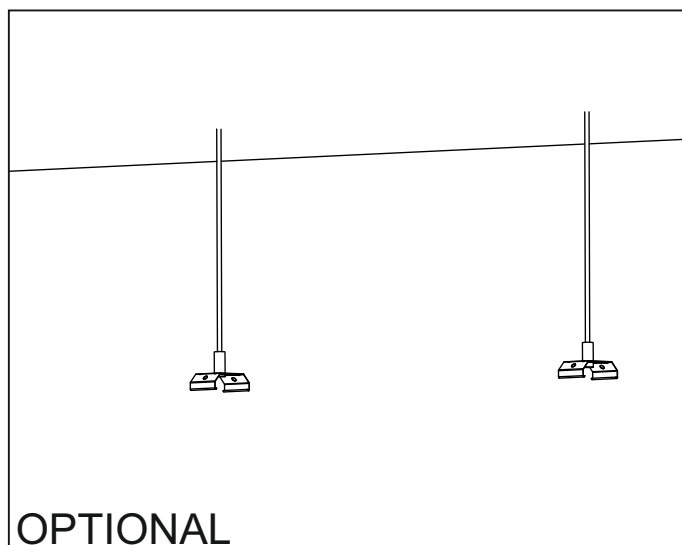
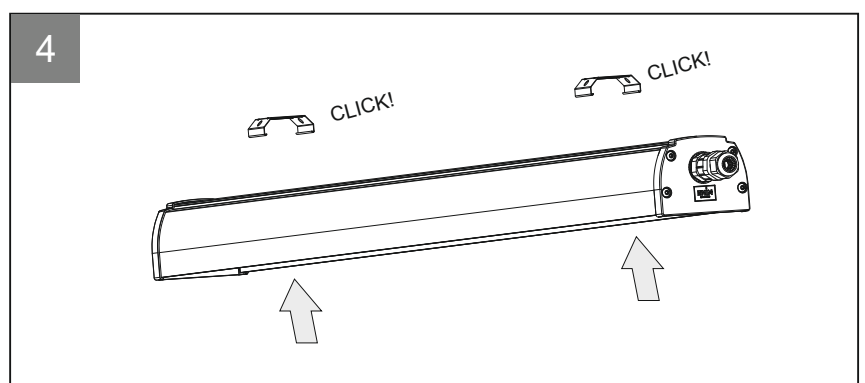
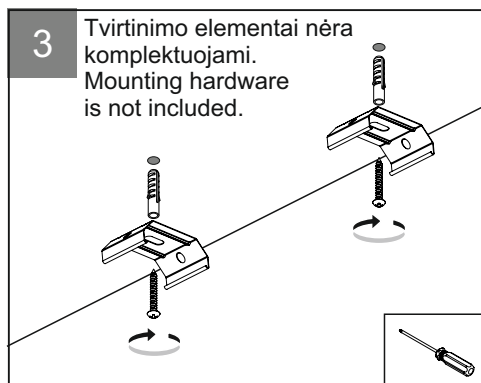
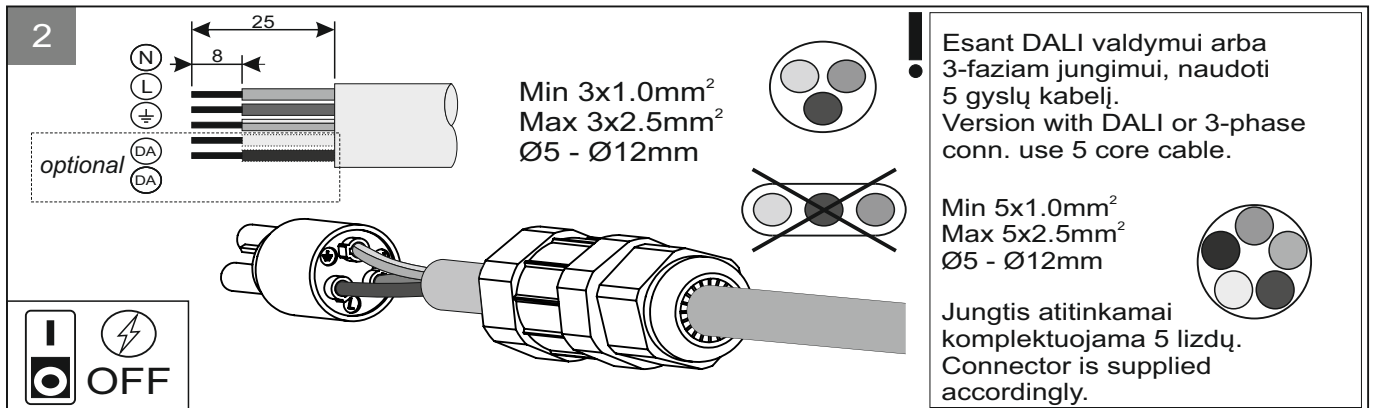
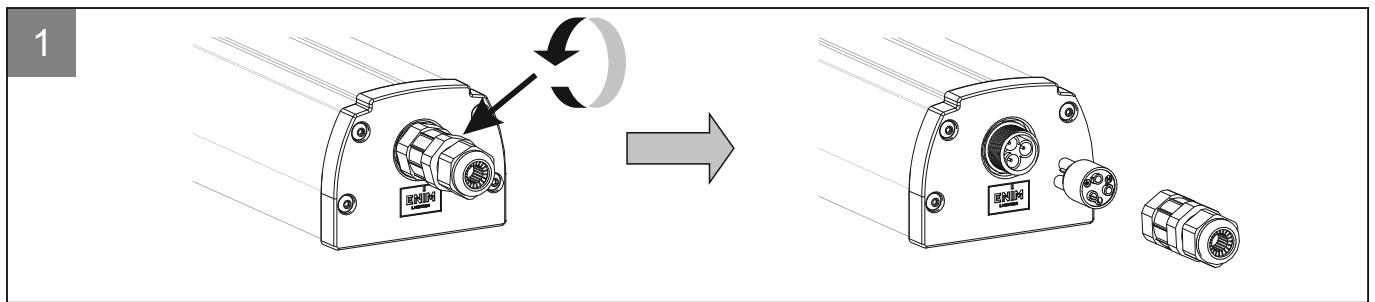
	CCT	A, mm	B, mm	KG		CCT	A, mm	B, mm	KG
FOCUS1 80W 710	4000K	710	760	2.2	FOCUS2 100W 1740	4000K	1740	1790	3.2
FOCUS1 100W 890	4000K	890	940	2.3	FOCUS2 115W 2020	4000K	2020	2070	3.4
FOCUS1 120W 1060	4000K	1060	1110	2.5	FOCUS2 130W 2310	4000K	2310	2360	3.8
FOCUS1 150W 1230	4000K	1230	1280	2.7	FOCUS3 100W 880	4000K	880	930	2.3
FOCUS2 80W 1450	4000K	1450	1500	3.0	FOCUS3 150W 1160	4000K	1160	1210	2.6



Automatic circuit breaker type	B10	B16	B20	C10	C16	C20	Inrush current	
Installation Ø	1.5 mm ²	1.5 mm ²	2.5 mm ²	1.5 mm ²	1.5 mm ²	2.5 mm ²	I _{max}	Time
FOCUS1 80W 710	14	23	29	24	39	71	39 A	166 µs
FOCUS1 100W 890	15	24	30	25	40	50	37 A	169 µs
FOCUS1 120W 1060	6	10	13	11	17	21	47 A	286 µs
FOCUS1 150W 1230	6	9	11	9	15	19	51 A	286 µs
FOCUS2 80W 1450	14	23	29	24	39	71	39 A	166 µs
FOCUS2 100W 1740	6	24	30	25	40	50	37 A	169 µs
FOCUS2 115W 2020	7	11	13	12	17	22	46 A	286 µs
FOCUS2 130W 2310	6	9	12	10	16	20	49 A	286 µs
FOCUS3 100W 880	6	24	30	25	40	50	37 A	169 µs
FOCUS3 150W 1160	6	9	11	9	15	19	51 A	286 µs

FOCUS 1, 2, 3

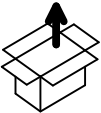
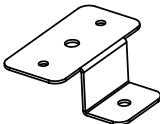
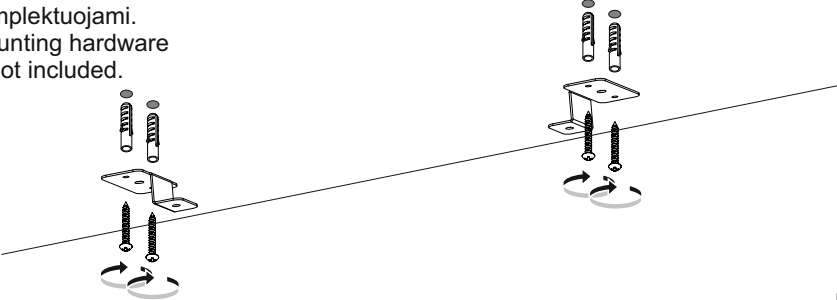


Montavimo instrukcija / Mounting instruction



FOCUS 1, 2, 3

Montavimo instrukcija / Mounting instruction

Versija su papildomu Z tipo kronšteinu / Version with additional Z type bracket

	 <p>x2</p>	<p>Tvirtinimo elementai nėra komplektuojami. Mounting hardware is not included.</p> 
 <p>M5 x2</p>  <p>D5 x2</p>		