



IRIS 1



DESCRIPTION

The IRIS 1 is a premium solution for public and residential street lighting, ensuring top-quality with all necessary EU certifications. Featuring high-efficiency LEDs and 41 optic options, it provides precise illumination. With a robust aluminum housing, corrosion resistance class C4 (C5 additional) and a lifetime of up to 100,000 hours (L95 B10), IRIS 1 ensures long-lasting performance even in harsh environments. Its tool-free opening allows quick and cost-effective maintenance, while power options from 60 W to 130 W offer adaptability for diverse applications. Ideal for creating energy-efficient, eco-friendly, visually comfortable lighting.

APPLICATIONS

IRIS 1 is ideal for a wide range of outdoor applications: streets, highway roads, parking lots, railway platforms, pedestrian areas, parks and bike paths, also for urban infrastructure or recreational spaces.

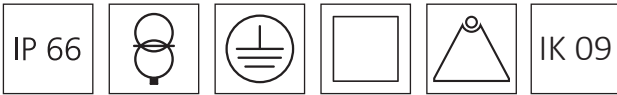
BENEFITS

- **Best in Class:** Designed, developed and manufactured by ENIM, a trusted EU producer
- **Certified Quality:** CE, CB, ENEC, ENEC+, RoHS, EPD certifications ensuring compliance with all EU road requirements.
- **Superior Efficiency:** Advanced technology with high-efficiency LEDs for maximum performance.
- **Versatile Power Options:** Ranges from 60 W to 130 W, tailored to fit any lighting project.
- **Adaptable Optics:** 41 optic types ensure precise lighting for diverse applications.
- **Unique Design:** Sleek, dirt-resistant design perfected over 15 years for practicality and aesthetics.
- **Engineered for Longevity:** Built to last 100,000 hours (L95 B10).
- **Corrosion Resistance:** Corrosion resistance class C4 (C5 additional), ensuring durability in harsh environments.
- **Easy Maintenance:** Tool-less access simplifies installation and upkeep.
- **Safety First:** Integrated safety knife-switch prevents electric shocks.
- **SMART savings:** time dimming profiles DDF's for even more energy reduction.
- **Sustainability:** EPD certificate ensures low carbon emissions and eco-friendly materials.
- **Dark Sky Certified:** Reduces light pollution, preserving the beauty of the natural night sky.

*Dark Sky applies to luminaires up to 3000 K.



TECHNICAL INFORMATION:

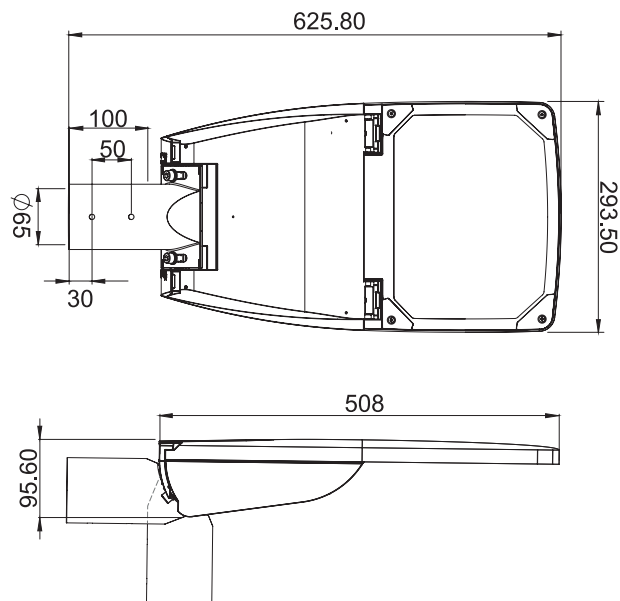


ELECTRICAL	V	Input voltage	220-240 (VAC)
	Hz	Rated voltage	50-60 Hz
	W	Luminaire wattage	60 to 130
	Cosp	Power factor	≥ 0.95
OPTICAL	Lm	Luminous flux	8520-21060
	Lm/W	Luminous efficacy	Up to 175 lm/W
	K	Color temperature	2700/3000/4000 and 5700 for pedestrian crossing
	Tg	Performance temperature	25 °C
	C°	Ambient temperature range	-40 °C ≤ Ta ≤ +50 °C
	CRI	Color rendering index	≥70

Number of LED's	32					48				
Power	60	70	80	90	100	90	100	110	120	130
Luminous Flux, Lm	8520-10500	9800-12040	10720-13520	11790-14850	12800-16200	12960-15660	14000-17100	15180-18480	16200-19800	17160-21060
Efficacy, Lm/W	142-175	140-172	134-169	131-165	128-162	144-174	140-171	138-168	135-165	132-162

Chromatic tolerance (original MacAdam)	Not higher than 5
Life expectancy L/B	L95 B10 by 100000 hrs (Ta = 25 °C)

HOUSING	Size	508 X 293,5 X 95,6 mm
	Weight	max 6,5 kg
	Body material	Heat sink: cast aluminium, painted
	Tool-less	Lid opening and driver change
	Protection against fogging	The luminaire design incorporates a pressure-equalizing moisture/dust filter that prevents moisture condensation in the luminaire housing
	Installation	Adjustable bracket: angle - 20 + 25 , Ø 60-76 mm, Ø 42-60 mm



OPTICS	Optical cover	Glass, thermally hardened, 4 mm
	Light source	OSRAM/LUMILEDS
	Optics	Asymmetric optics lens
	Optics type	Very carefully selected optics suppliers, the optics are transparent to ensure minimal light loss
	Maintenance	Optical module sealed for life. No internal cleaning required
	Protection against light pollution	0 candela light emission above 90°

DRIVER	Input voltage	Input 180-264 VAC, 100-305 VAC, 176-280 VDC (depending on the driver in use)
	Intelligent temperature Guard (ITG)	The intelligent temperature guard protects the LED driver from thermal overheating by reducing the output power or switching off in case of operation above the thermal limits of the luminaire or ballast
	External temperature management (ETM + NTC)	ETM protects the LED module against thermal overstress. An external temperature sensor (NTC) detects the LED module temperature and the LED driver will limit the output current according to this temperature
	Overvoltage with a variable surge protection	N/L - 10kV, P/(N/L) - 10kV
	Interfaces	one4all (DALI, DALI2, DT 6, DSI, switchDIM, corridorFUNCTION) - near field communication (NFC) - ready2mains (configuration and dimming via mains) - U6Me2 (configuration of chronoSTEP 2 via mains time dimming function), midnight dimming profiles

OPTIONAL	Sockets for various smart control sensors D4I ZHAGA TOP-BOTTOM / D4I ZHAGA BOTTOM / D4I ZHAGA TOP / NEMA TOP
-----------------	--

REMARKS	CLO	The light output of an LED module reduces over the course of its lifetime. The Constant Light Output (eCLO) function compensates for this natural decline by constantly increasing the output current of the LED driver throughout its lifetime
	Power factor (Cosφ)	≥ 0.95
	Recommended mounting height	4-15 m
		Luminaires are ready to install

LOGISTIC DETAILS:

Full pallet size/cm L*W*H	Number of luminaires per row	Number of rows	QTY per pallet/pcs
120 X 80 X 125	7	4	28
Volume per pallet		Kg per pallet	
1,069 m ³		Netto	Brutto
		260,4	285,4

