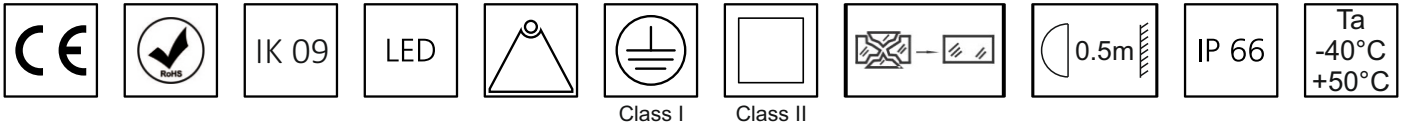


EFL series LED floodlight

Mounting instruction



IMPORTANT SAFEGUARDS READ AND FOLLOW ALL SAFETY INSTRUCTIONS

1. The luminaire is not allowed to be placed in the water or close to fire resource and high temperature place.
2. Before installing this fixture or doing any maintenance, make sure to turn off the power supply at the circuit breaker or fuse box.
3. Make sure that the luminaire is not damaged before install and use. If the glass is broken or damaged it must be replaced.
4. Only the authorized electrician can install the luminaire, and the wire should comply with the national standards.
5. Input cable can be 2, 3, 4 or 5 cores and the min cross-sectional area of the conductor should be 1.5 mm². The input cable should meet requirements of IEC 60227 or IEC 60245.
6. If the external flexible cable or cord of this luminaire is damaged, it shall be exclusively replaced by the manufacturer or his service agent in order to avoid a hazard.
7. Check to make sure that all the fixture connections have been properly made and the fixture is grounded to avoid potential electrical shocks.
8. The light source of luminaire is non-user replaceable. It can only be replaced by the manufacturer or his service agent.

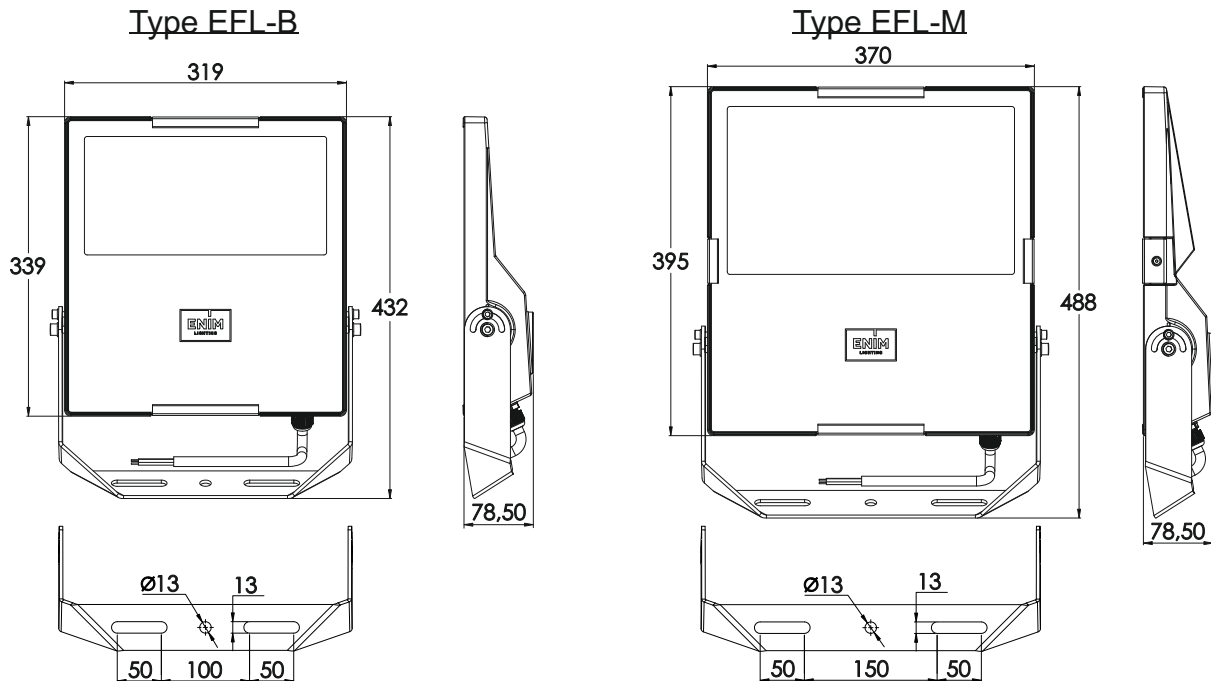


Caution, Risk of Electric Shock. Disconnect all power sources before servicing.

MAINTENANCE OF LUMINAIRE

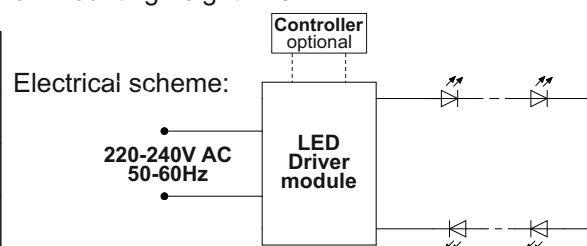
Maintenance of luminaire must be done according to the standard CIE 154-2003.
Recommended period of maintenance - every 3-4 years.
Cleaning must be done with soft material and soapy water.
Do not use aggressive chemicals or solvents!

Product dimensions:



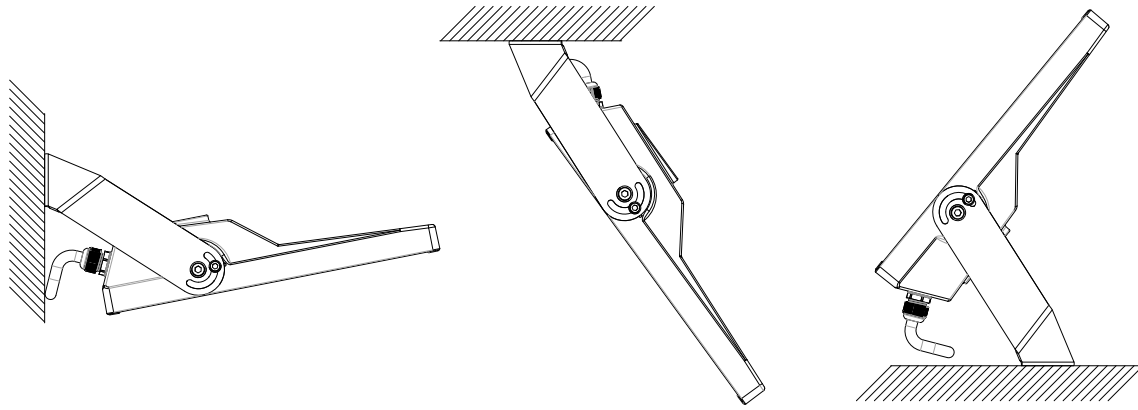
Projected area: **EFL-M - Scx: 0,022 m² max.** The max mounting height - **10 m**
EFL-B - Scx: 0,025 m² max. The max mounting height - **15 m**

Parameter table:	EFL-M	EFL-B
LED quantity	36 - 60	72 - 108
Power	60-200W	200-320W
Weight max	6.8 kg	9.6 kg

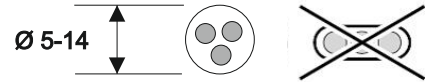
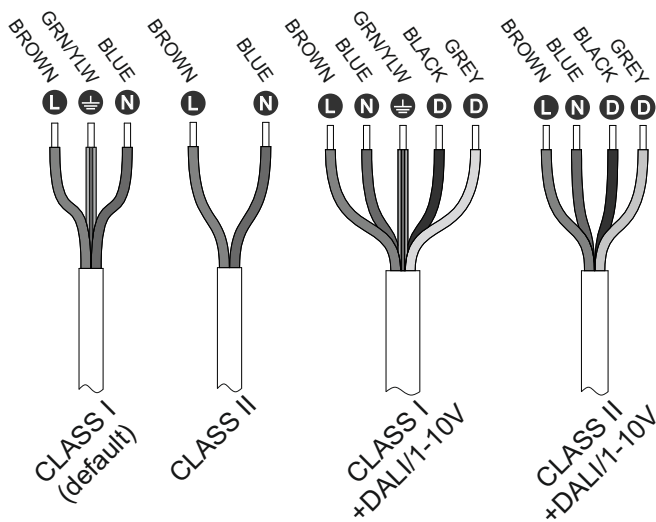


EFL series LED floodlight

Mounting positions



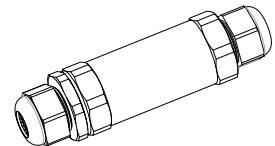
Cable connection



Power cable min size: 3x1.5 mm²
 2x1.5 mm²
 5x1.5 mm²
 4x1.5 mm²

The input cable should meet the requirement of IEC 60227 or IEC 60245

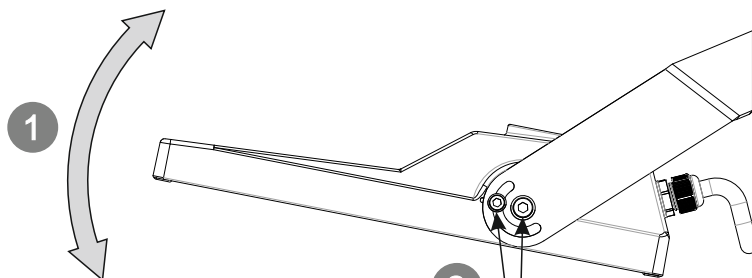
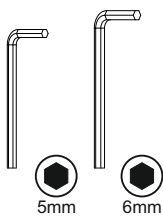
Optional: IP protected wire connector



WARNING: Please make sure the power off before operation.

Fixation

Tools required for mounting



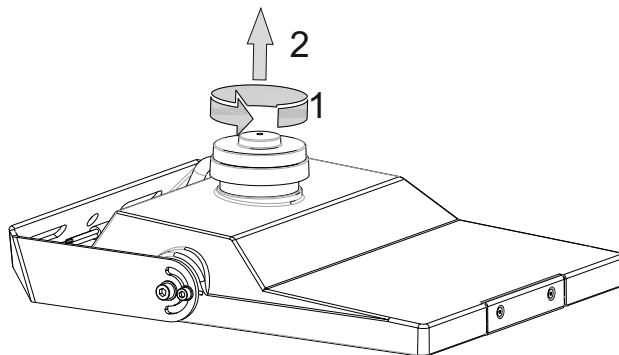
1. Adjust required angle.
2. Tighten fixing screws on both side of floodlight.



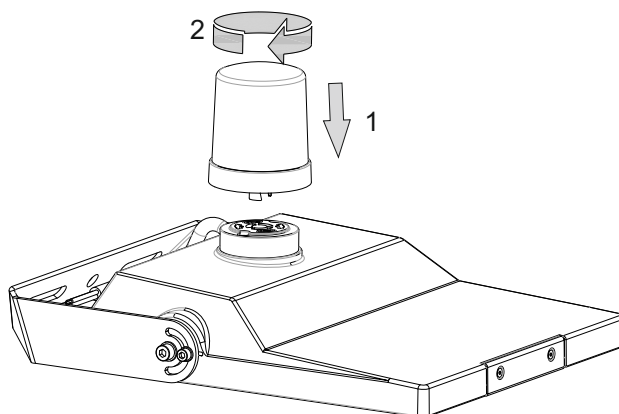
EFL series LED floodlight

Mounting of NEMA node:

1. Remove shorting cap.

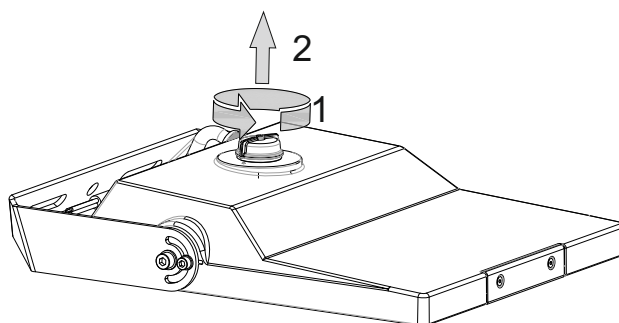


2. Mount and fix node.



Mounting of ZHAGA node:

1. Remove protection cap.



2. Mount and fix node.

