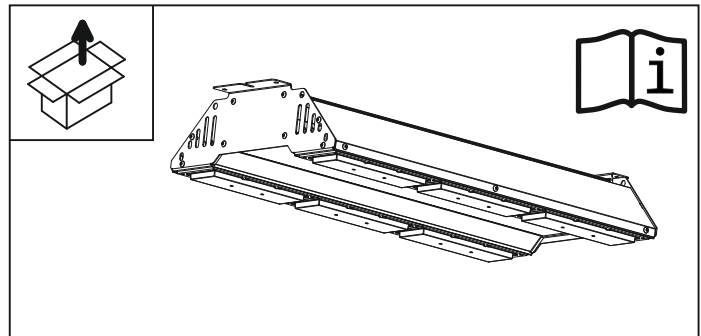


BAT series

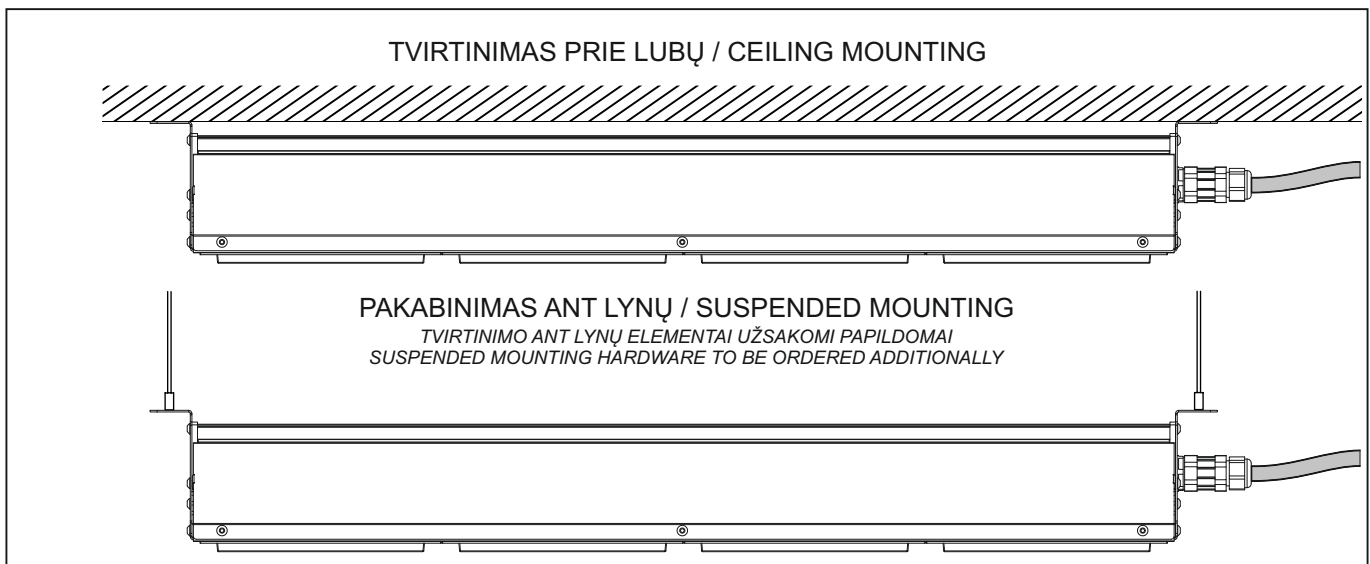
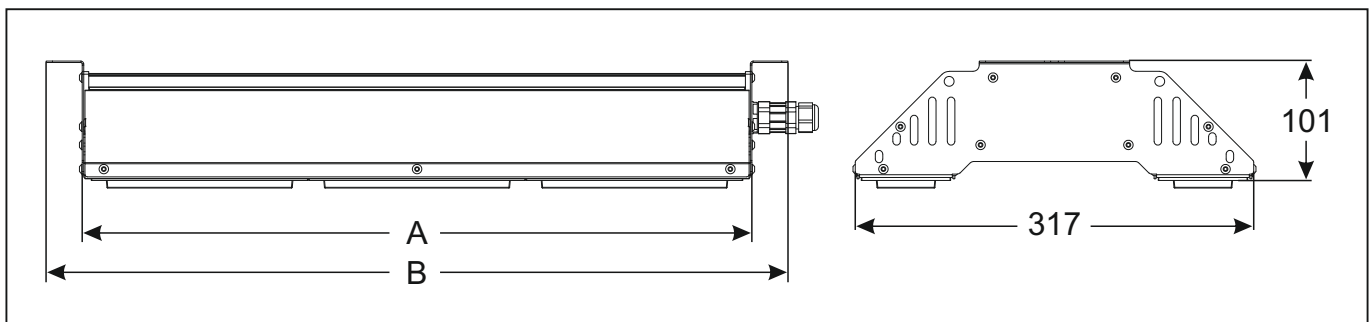
Montavimo instrukcija / Mounting instruction



Tik kvalifikuotas personalas gali atlikti šviestuvo montavimą ir pajungimą.
The installation has to be carried out by an electrician or by any similarly qualified person.



		CCT	CRI	A, mm	B, mm	KG
BAT160	160W	3000 - 6500K	70; 80; 90	362	419	3,9
BAT200	200W	3000 - 6500K	70; 80; 90	535	592	5,4
BAT240	240W	3000 - 6500K	70; 80; 90	535	592	5,6
BAT300	300W	3000 - 6500K	70; 80; 90	708	765	7,2



Automatic circuit breaker type Installation Ø	B10	B16	B20	C10	C16	C20	Inrush current	
	1.5 mm ²	2.5 mm ²	2.5 mm ²	1.5 mm ²	2.5 mm ²	2.5 mm ²	I _{max}	Time
BAT160 160W	11	16	18	15	22	25	25 A	210 µs
BAT200 200W	9	13	15	13	19	21	25 A	210 µs
BAT240 240W	5	10	11	10	14	17	171 A	140 µs
BAT300 300W	3	5	7	6	10	12	214 A	180 µs

BAT series

Montavimo instrukcija / Mounting instruction

1 Tvirtinimo elementai nėra komplektuojami.
Mounting hardware is not included.

OPTIONAL

Kabelio prijungimas / Cable connection

Versija su greitąja jungtimi / Option with quick connector

2

3

Min $3 \times 1.5 \text{mm}^2$
Max $3 \times 2.5 \text{mm}^2$
 $\text{Ø}5 - \text{Ø}12 \text{mm}$

! DALI valdymui, naudoti 5 gyslų kabelį
w/ DALI use 5 core cable

Min $5 \times 1.5 \text{mm}^2$
Max $5 \times 2.5 \text{mm}^2$
 $\text{Ø}5 - \text{Ø}12 \text{mm}$

Jungtis atitinkamai komplektuojama 5 lizdų.
Connector is supplied accordingly.

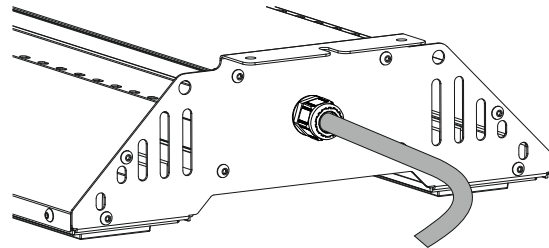
4

BAT series

Montavimo instrukcija / Mounting instruction

5

Versijai su išvestu kabeliu.
For version with outgoing cable.



6

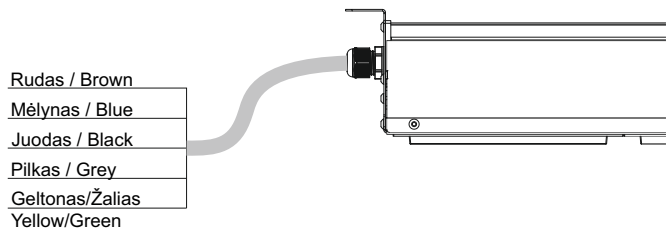
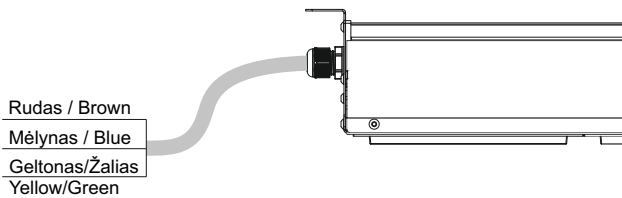
Prijungimas / Wiring

Jungiama prie 230-240 V įtampos, 50-60 Hz tinklo.

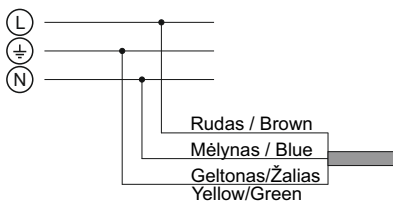
- Geltonas/Žalias laidas, PE
- Rudas laidas, L
- Mėlynas laidas, N
- Juodas laidas, DALI / DIM L
- Pilkas laidas, DALI / DIM N

Should be connected to 230-240V , 50-60 Hz net.

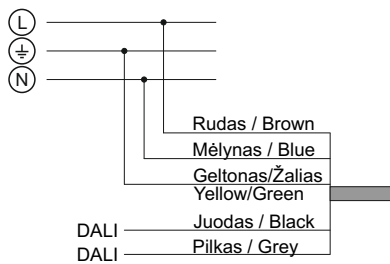
- Yellow/Green wire, PE
- Brown wire, L
- Blue wire, N
- Black wire, DALI / DIM L
- Grey wire, DALI / DIM N



ON - OFF



DALI



SwitchDIM / corridorFUNCTION

