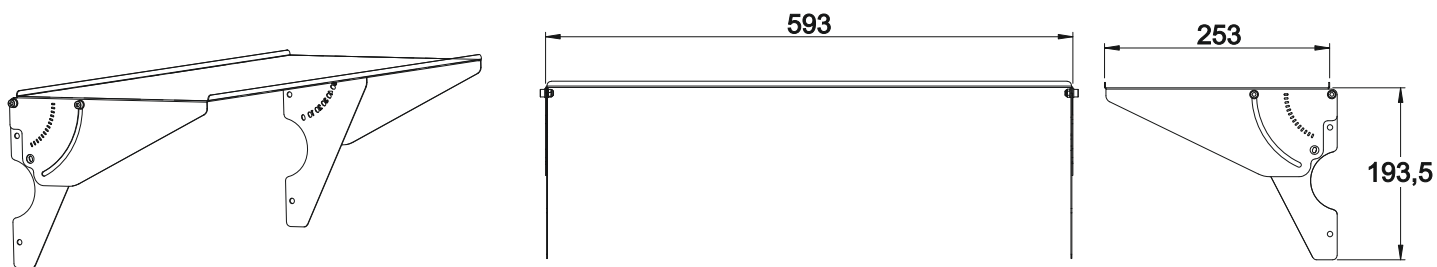


ARENA VISOR

Mounting instruction

Dimensions



Weight (with screws): 1.7 kg

Mounting



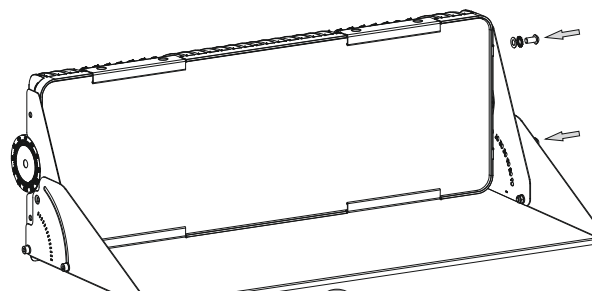
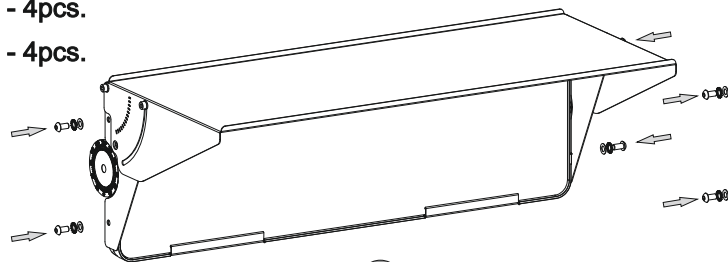
M6x12 - 4pcs.

M6 - 4pcs.

M6 - 4pcs.

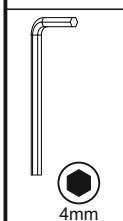
TOP position

BOTTOM position



3,5 Nm

3,5 Nm



4mm

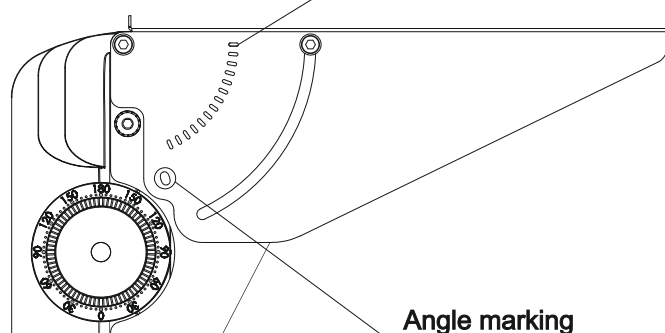
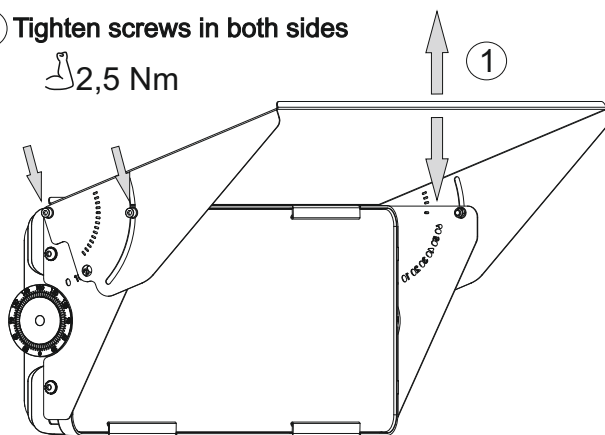
Angle adjustment

② Tighten screws in both sides

2,5 Nm

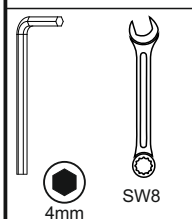
①

5° angle marking



Angle marking

Angle position: 0° to 65°



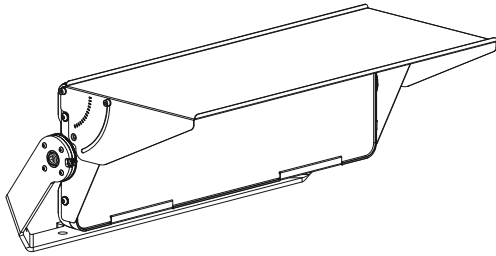
4mm

SW8

ARENA VISOR

Mounting positions

Position UP



Position DOWN / UP + DOWN

