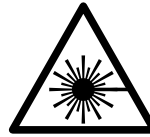


ARENA positioning laser

Operating instruction



DANGER

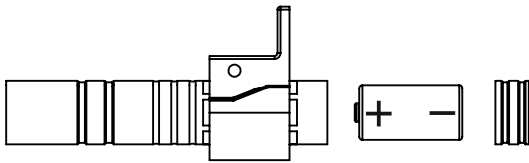
Laser Radiation Class 3B.
Avoid direct exposure to beam.
Laser protective eyewear required.

IMPORTANT SAFEGUARDS READ AND FOLLOW ALL SAFETY INSTRUCTIONS

1. Do not observe laser or scattered laser radiation directly or indirectly.
2. Operate laser at your own responsibility, wear laser goggles.
3. Do not aim at living targets.

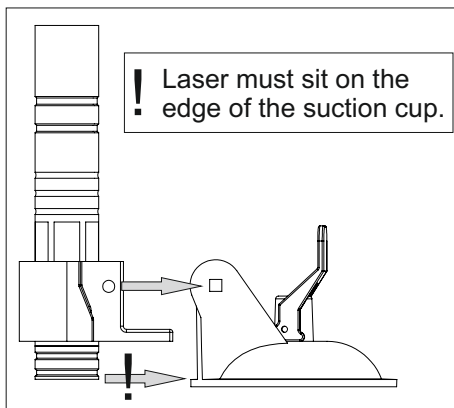
BATTERY INSTALLATION

1. Unscrew the end cap of the laser.
2. Install the battery with the correct polarity.
3. Screw the end cap back on.

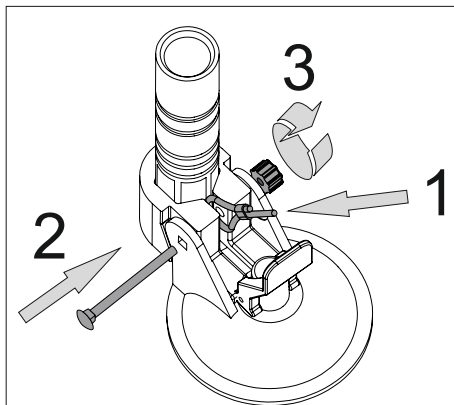


ATTACH LASER TO THE SUCTION CUP

1. Move and align laser to the suction cup.



2. Attach safety cable, pass through the screw and tighten the nut.



BOX CONTENTS

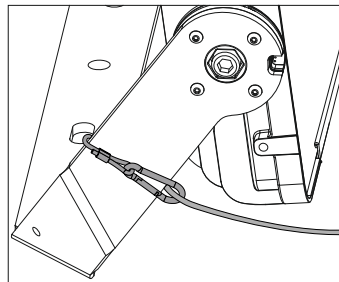
- | | |
|--------------------------------|--------------------|
| 1. Laser with mounting adapter | 5. Battery |
| 2. Suction cup | 6. Battery charger |
| 3. Safety cable harness | |
| 4. Screw and thumb nut | |

PERFORM THE MEASUREMENT

1. Attach the safety cable.

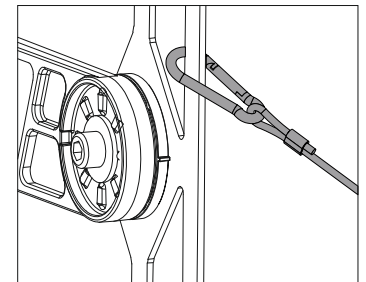
SINGLE HEAD

Circle the cable around and hook it to itself.



2-HEAD / 3-HEAD

Attach snap hook on the side bracket.



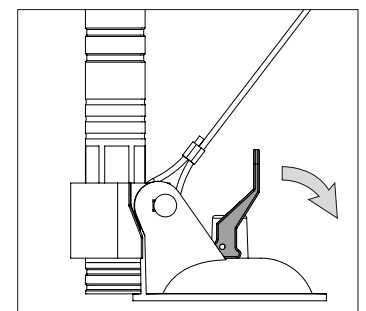
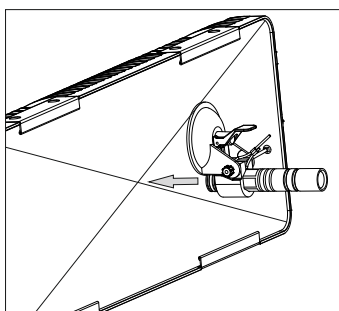
2. Turn on the laser.

WARNING! After this point the laser is functioning and is emitting high power beam. Do not point at living objects!

3. Attach the laser assembly to the center of the glass on the head that is to be adjusted.

Clean glass and suction cup with damp cloth before attaching the laser!

For the adjustment guidelines follow the instruction manual supplied with the floodlight.



REMOVAL OF THE LASER ASSEMBLY

