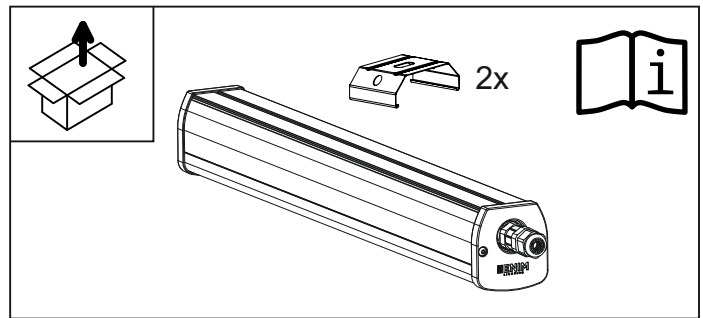


# INDUS series

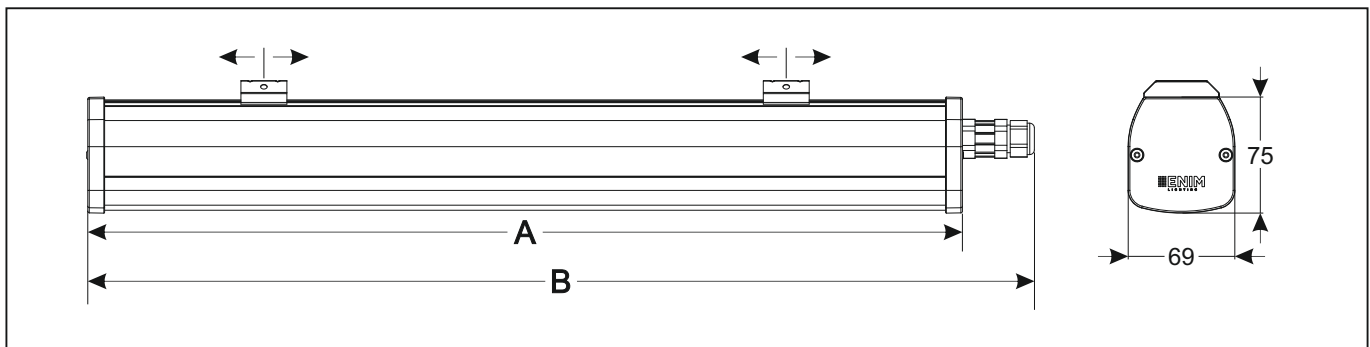
## Montavimo instrukcija / Mounting instruction



Tik kvalifikuotas personalas gali atlikti šviestuvo montavimą ir pajungimą.  
The installation has to be carried out by an electrician or by any similarly qualified person.



	Galia / Power, W	CCT	A, mm	B, mm	KG
INDUS 6	39	3000-6500K	571	618	1,2
INDUS 9	57	3000-6500K	852	900	1,5
INDUS 12	74	3000-6500K	1133	1180	1,9
INDUS 15	91	3000-6500K	1414	1460	2,3



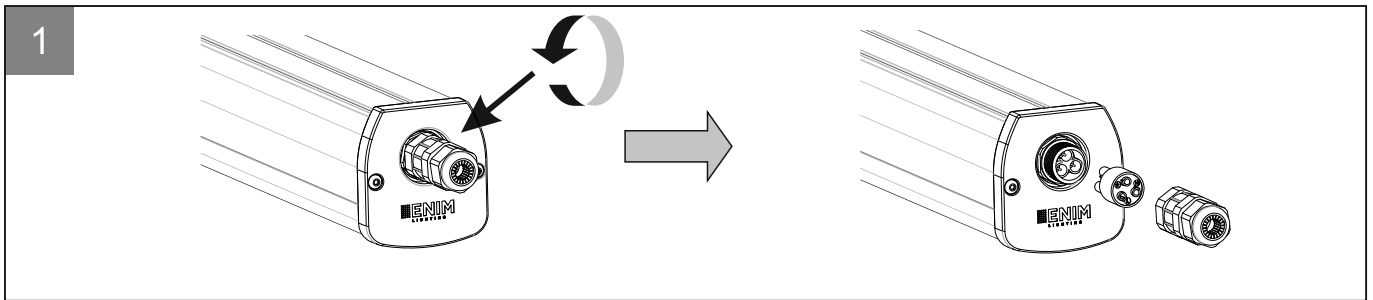
**TVIRTINIMAS PRIE LUBŲ / CEILING MOUNTING**

**PAKABINIMAS ANT LYNŲ / SUSPENDED MOUNTING**  
TVIRTINIMO ANT LYNŲ ELEMENTAI UŽSAKOMI PAPILDOMAI  
SUSPENDED MOUNTING HARDWARE TO BE ORDERED ADDITIONALLY

**Kronšteinas A / Bracket A**

**Kronšteinas B / Bracket B**  
(Užsakomas papildomai / Order additionally)

Automatic circuit breaker type	B10	B16	B20	C10	C16	C20	Inrush current	
Installation Ø	1.5 mm <sup>2</sup>	1.5 mm <sup>2</sup>	2.5 mm <sup>2</sup>	1.5 mm <sup>2</sup>	1.5 mm <sup>2</sup>	2.5 mm <sup>2</sup>	I <sub>max</sub>	Time
INDUS 6 39W	19	30	38	31	51	62	45 A	100 µs
INDUS 9 57W	18	28	35	29	48	58	45 A	100 µs
INDUS 12 74W	14	23	29	24	39	48	45 A	100 µs
INDUS 15 91W	13	21	26	22	36	44	45 A	100 µs



2

Min 3x1.0mm<sup>2</sup>  
 Max 3x2.5mm<sup>2</sup>  
 Ø5 - Ø12mm

Esant DALI valdymui arba 3-faziam jungimui, naudoti 5 gyslų kabelį.  
 Version with DALI or 3-phase conn. use 5 core cable.

Min 5x1.0mm<sup>2</sup>  
 Max 5x2.5mm<sup>2</sup>  
 Ø5 - Ø12mm

Jungtis atitinkamai komplektuojama 5 lizdų.  
 Connector is supplied accordingly.

OFF

