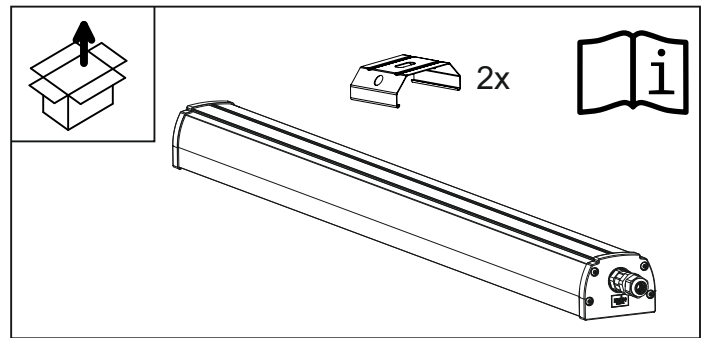
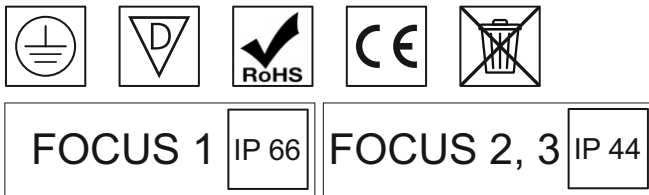


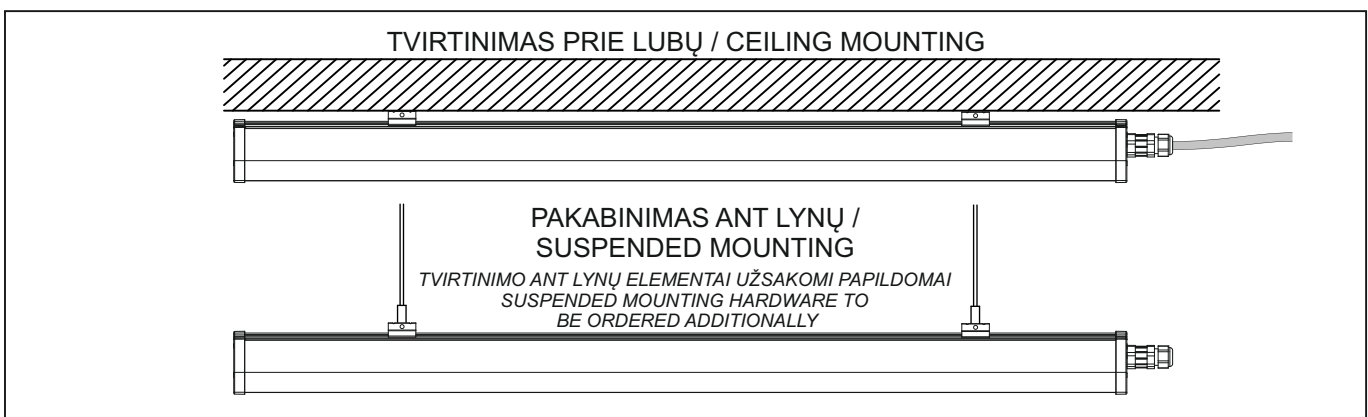
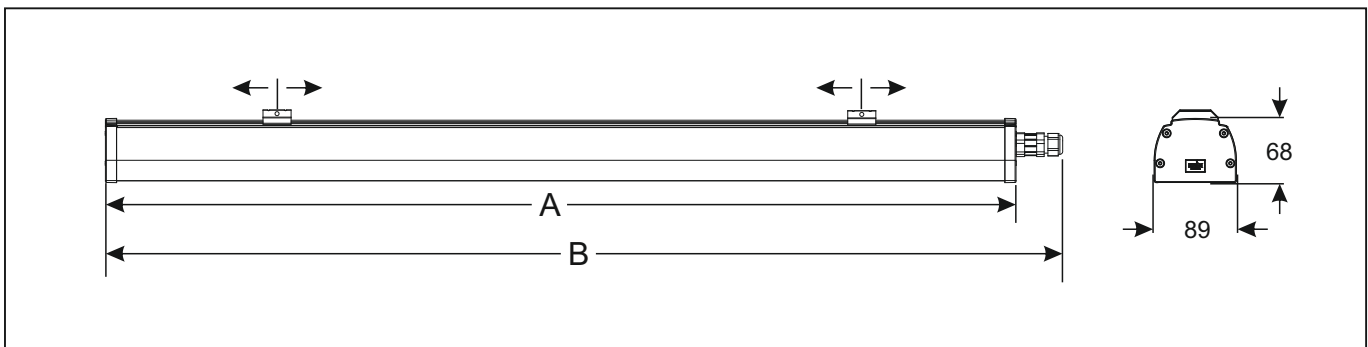
FOCUS 1, 2, 3

Montavimo instrukcija / Mounting instruction



Tik kvalifikuotas personalas gali atlikti šviestuvo montavimą ir pajungimą.
The installation has to be carried out by an electrician or by any similarly qualified person.

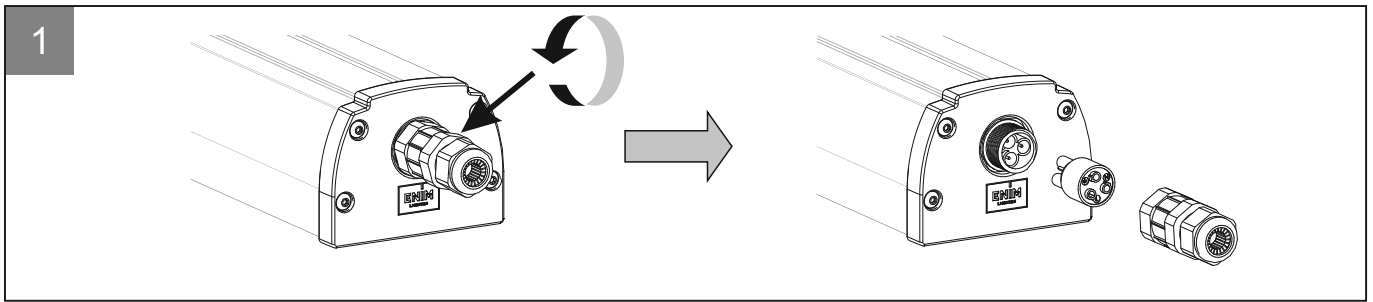
| | CCT | A, mm | B, mm | KG | | CCT | A, mm | B, mm | KG |
|------------------|-------|-------|-------|-----|------------------|-------|-------|-------|-----|
| FOCUS1 80W 710 | 4000K | 710 | 760 | 2.2 | FOCUS2 100W 1740 | 4000K | 1740 | 1790 | 3.2 |
| FOCUS1 100W 890 | 4000K | 890 | 940 | 2.3 | FOCUS2 115W 2020 | 4000K | 2020 | 2070 | 3.4 |
| FOCUS1 120W 1060 | 4000K | 1060 | 1110 | 2.5 | FOCUS2 130W 2310 | 4000K | 2310 | 2360 | 3.8 |
| FOCUS1 150W 1230 | 4000K | 1230 | 1280 | 2.7 | FOCUS3 100W 880 | 4000K | 880 | 930 | 2.3 |
| FOCUS2 80W 1450 | 4000K | 1450 | 1500 | 3.0 | FOCUS3 150W 1160 | 4000K | 1160 | 1210 | 2.6 |



| Automatic circuit breaker type | B10 | B16 | B20 | C10 | C16 | C20 | Inrush current | |
|--------------------------------|---------------------|---------------------|---------------------|---------------------|---------------------|---------------------|------------------|--------|
| Installation Ø | 1.5 mm ² | 1.5 mm ² | 2.5 mm ² | 1.5 mm ² | 1.5 mm ² | 2.5 mm ² | I _{max} | Time |
| FOCUS1 80W 710 | 14 | 23 | 29 | 24 | 39 | 71 | 39 A | 166 µs |
| FOCUS1 100W 890 | 15 | 24 | 30 | 25 | 40 | 50 | 37 A | 169 µs |
| FOCUS1 120W 1060 | 6 | 10 | 13 | 11 | 17 | 21 | 47 A | 286 µs |
| FOCUS1 150W 1230 | 6 | 9 | 11 | 9 | 15 | 19 | 51 A | 286 µs |
| FOCUS2 80W 1450 | 14 | 23 | 29 | 24 | 39 | 71 | 39 A | 166 µs |
| FOCUS2 100W 1740 | 6 | 24 | 30 | 25 | 40 | 50 | 37 A | 169 µs |
| FOCUS2 115W 2020 | 7 | 11 | 13 | 12 | 17 | 22 | 46 A | 286 µs |
| FOCUS2 130W 2310 | 6 | 9 | 12 | 10 | 16 | 20 | 49 A | 286 µs |
| FOCUS3 100W 880 | 6 | 24 | 30 | 25 | 40 | 50 | 37 A | 169 µs |
| FOCUS3 150W 1160 | 6 | 9 | 11 | 9 | 15 | 19 | 51 A | 286 µs |

FOCUS 1, 2, 3

Montavimo instrukcija / Mounting instruction



2

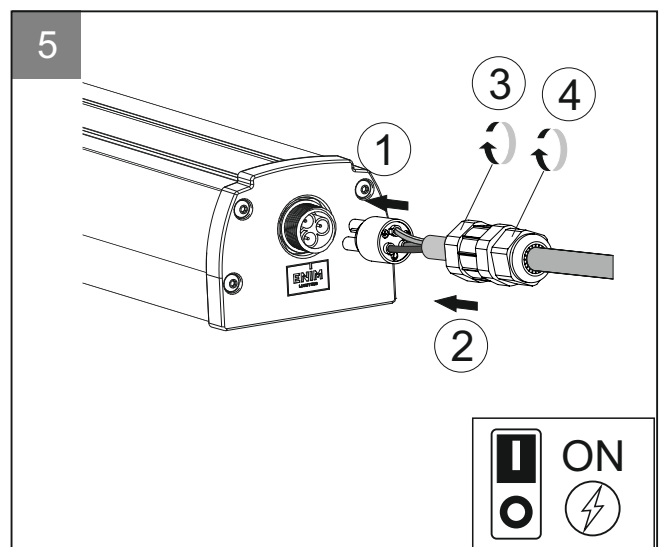
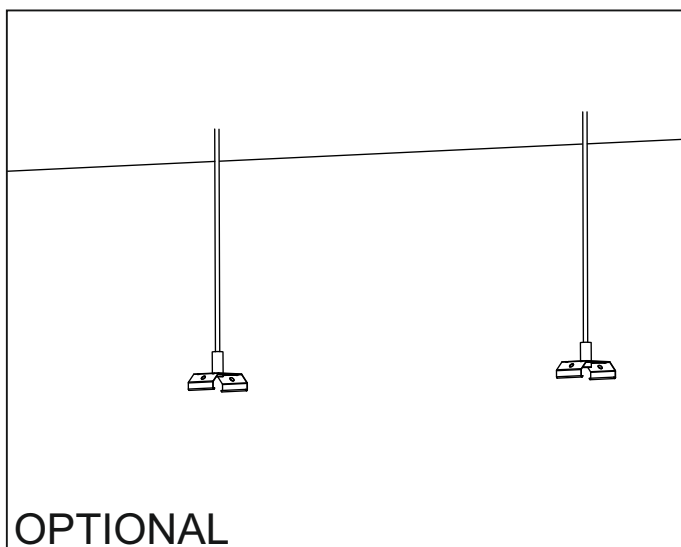
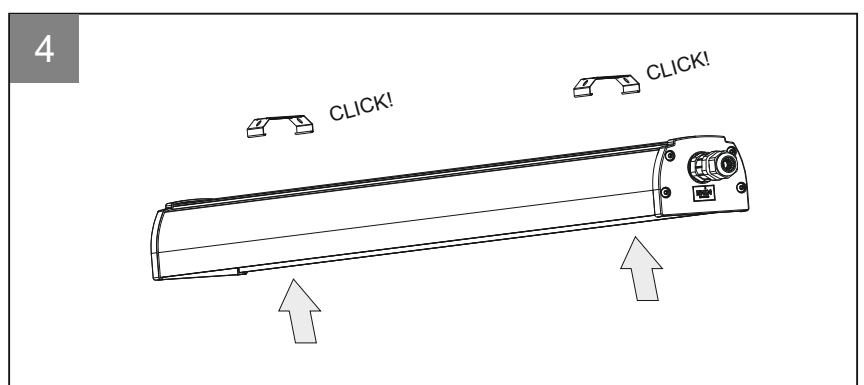
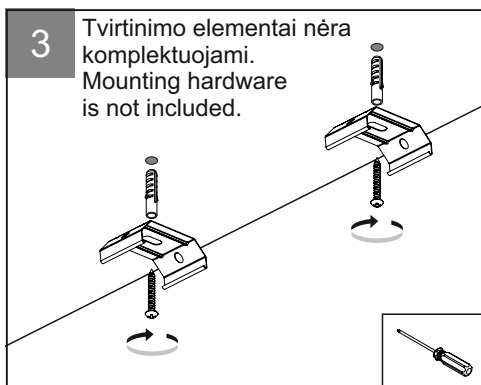
Min $3 \times 1.0\text{mm}^2$
Max $3 \times 2.5\text{mm}^2$
 $\text{Ø}5 - \text{Ø}12\text{mm}$

Esant DALI valdymui arba 3-faziam jungimui, naudoti 5 gyslų kabelį.
Version with DALI or 3-phase conn. use 5 core cable.

Min $5 \times 1.0\text{mm}^2$
Max $5 \times 2.5\text{mm}^2$
 $\text{Ø}5 - \text{Ø}12\text{mm}$

Jungtis atitinkamai komplektuojama 5 lizdų.
Connector is supplied accordingly.

OFF



FOCUS 1, 2, 3

Montavimo instrukcija / Mounting instruction

Versija su papildomu Z tipo kronšteinu / Version with additional Z type bracket
Tinka sporto salėms / Suitable for sports fields

