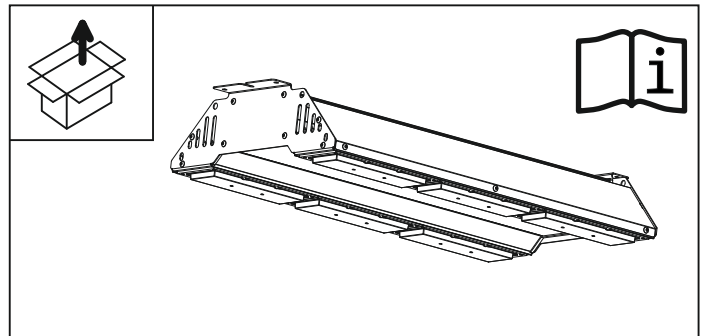


# BAT series

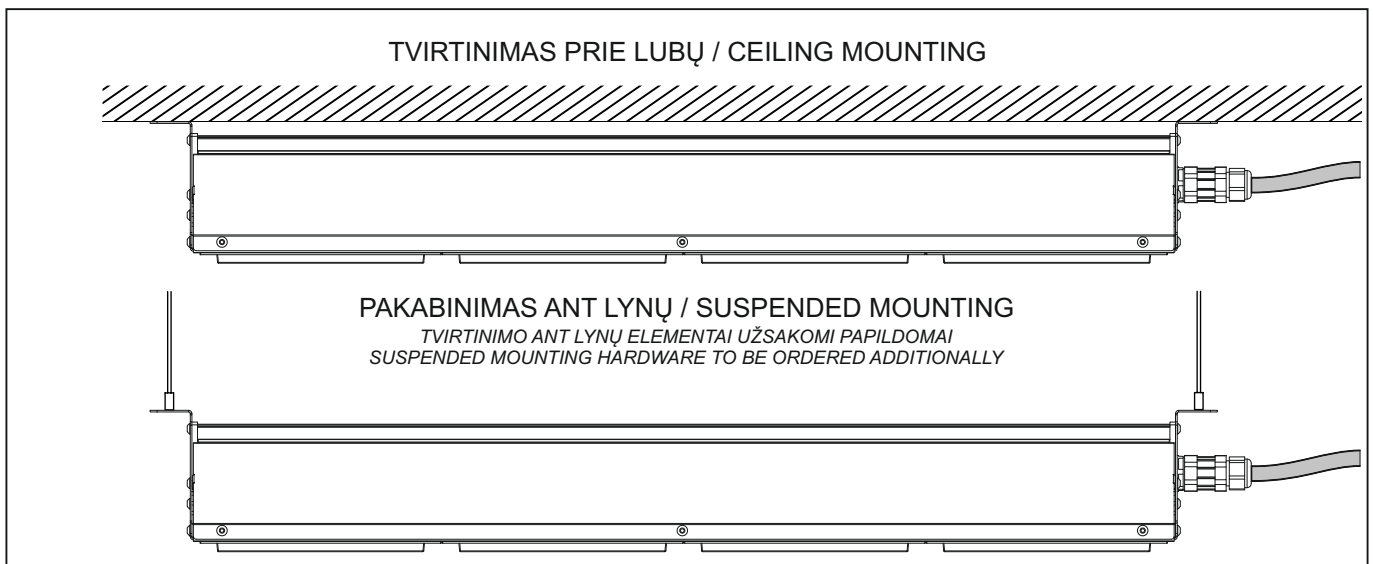
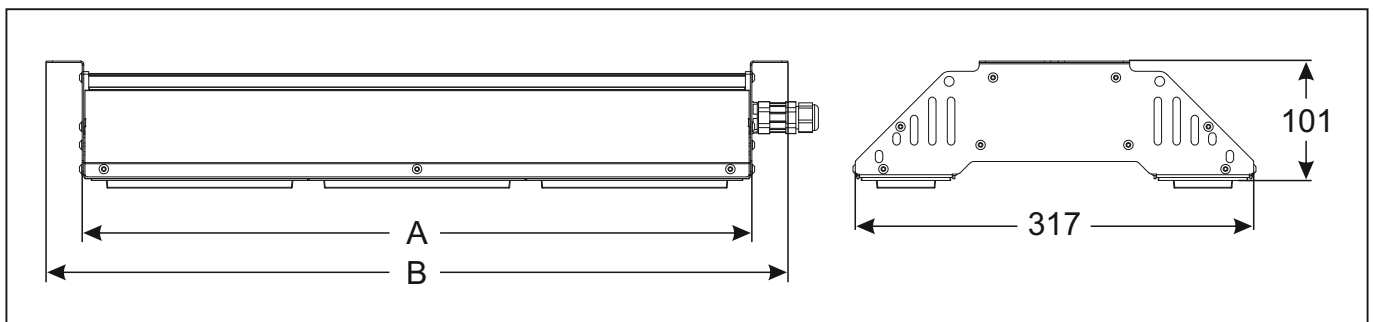
## Montavimo instrukcija / Mounting instruction



Tik kvalifikuotas personalas gali atlikti šviestuvo montavimą ir pajungimą.  
The installation has to be carried out by an electrician or by any similarly qualified person.



|        |      | CCT          | CRI        | A, mm | B, mm | KG  |
|--------|------|--------------|------------|-------|-------|-----|
| BAT160 | 160W | 3000 - 6500K | 70; 80; 90 | 362   | 419   | 3,9 |
| BAT200 | 200W | 3000 - 6500K | 70; 80; 90 | 535   | 592   | 5,4 |
| BAT240 | 240W | 3000 - 6500K | 70; 80; 90 | 535   | 592   | 5,6 |
| BAT300 | 300W | 3000 - 6500K | 70; 80; 90 | 708   | 765   | 7,2 |



| Automatic circuit breaker type | B10            | B16                 | B20                 | C10                 | C16                 | C20                 | Inrush current      |                  |        |
|--------------------------------|----------------|---------------------|---------------------|---------------------|---------------------|---------------------|---------------------|------------------|--------|
|                                | Installation Ø | 1.5 mm <sup>2</sup> | 2.5 mm <sup>2</sup> | 2.5 mm <sup>2</sup> | 1.5 mm <sup>2</sup> | 2.5 mm <sup>2</sup> | 2.5 mm <sup>2</sup> | I <sub>max</sub> | Time   |
| BAT160 160W                    |                | 11                  | 16                  | 18                  | 15                  | 22                  | 25                  | 25 A             | 210 μs |
| BAT200 200W                    |                | 9                   | 13                  | 15                  | 13                  | 19                  | 21                  | 25 A             | 210 μs |
| BAT240 240W                    |                | 5                   | 10                  | 11                  | 10                  | 14                  | 17                  | 171 A            | 140 μs |
| BAT300 300W                    |                | 3                   | 5                   | 7                   | 6                   | 10                  | 12                  | 214 A            | 180 μs |

# BAT series

## Montavimo instrukcija / Mounting instruction

**1** Tvirtinimo elementai nėra komplektuojami.  
Mounting hardware is not included.

**OPTIONAL**

### Kabelio prijungimas / Cable connection

#### Versija su greitąja jungtimi / Option with quick connector

**2**

**3**

Min  $3 \times 1.5 \text{mm}^2$   
Max  $3 \times 2.5 \text{mm}^2$   
 $\text{Ø}5 - \text{Ø}12 \text{mm}$

**!** DALI valdymui, naudoti 5 gyslų kabelį  
w/ DALI use 5 core cable

Min  $5 \times 1.5 \text{mm}^2$   
Max  $5 \times 2.5 \text{mm}^2$   
 $\text{Ø}5 - \text{Ø}12 \text{mm}$

Jungtis atitinkamai komplektuojama 5 lizdų.  
Connector is supplied accordingly.

**OFF**

**4**

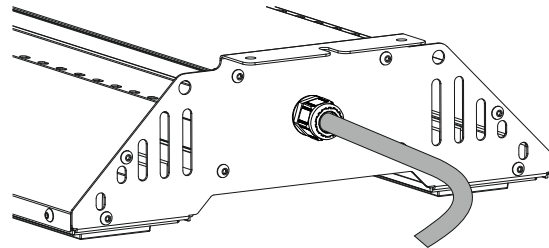
**ON**

# BAT series

## Montavimo instrukcija / Mounting instruction

5

Versijai su išvestu kabeliu.  
For version with outgoing cable.



6

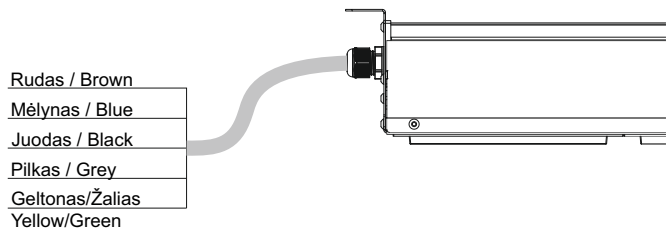
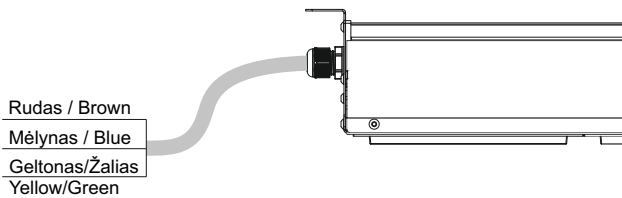
### Prijungimas / Wiring

Jungiama prie 230-240 V įtampos, 50-60 Hz tinklo.

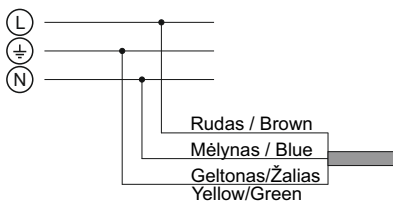
- Geltonas/Žalias laidas, PE
- Rudas laidas, L
- Mėlynas laidas, N
- Juodas laidas, DALI / DIM L
- Pilkas laidas, DALI / DIM N

Should be connected to 230-240V , 50-60 Hz net.

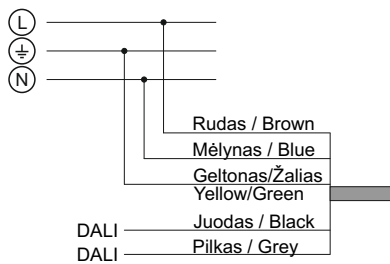
- Yellow/Green wire, PE
- Brown wire, L
- Blue wire, N
- Black wire, DALI / DIM L
- Grey wire, DALI / DIM N



#### ON - OFF



#### DALI



#### SwitchDIM / corridorFUNCTION

