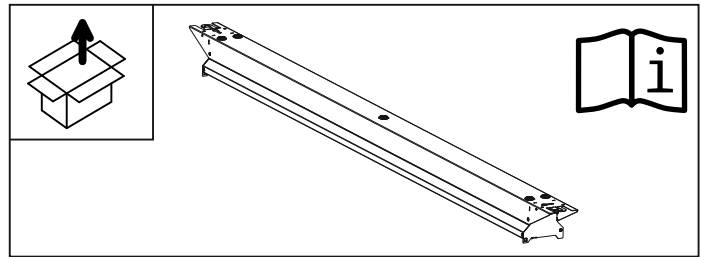


STEELO

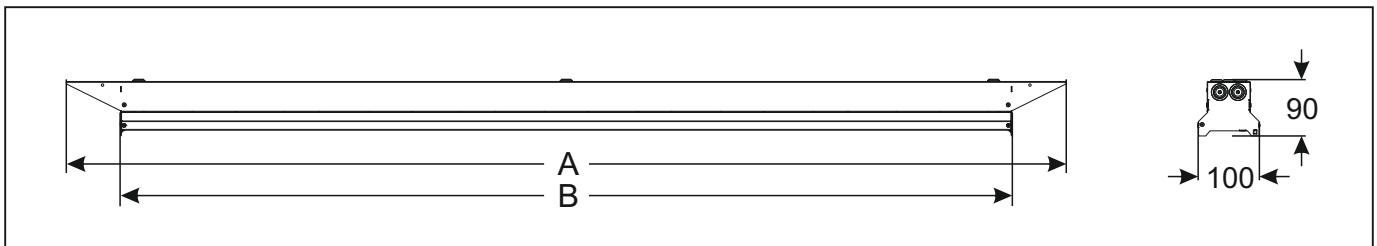
Montavimo instrukcija / Mounting instruction



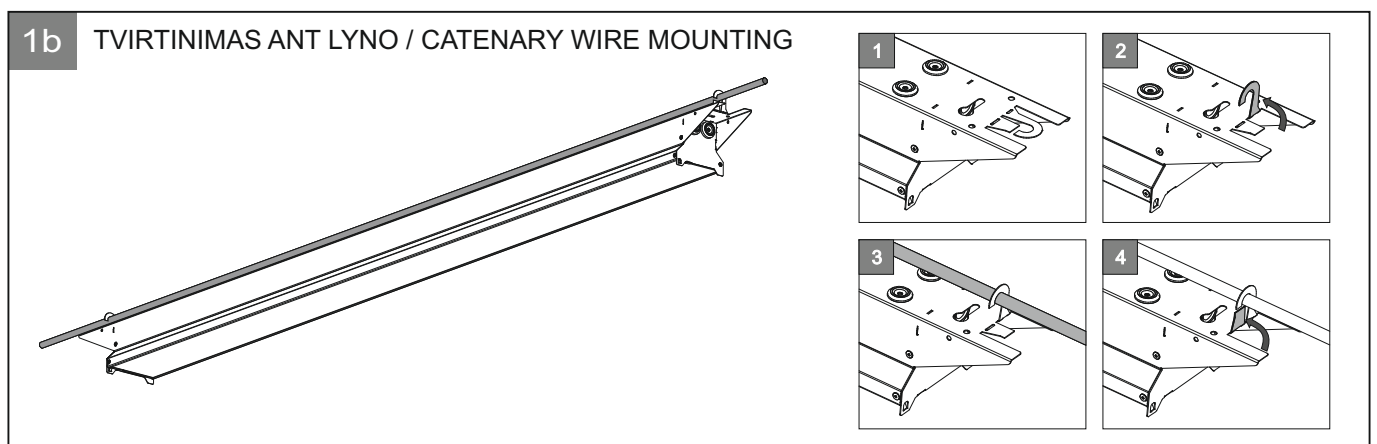
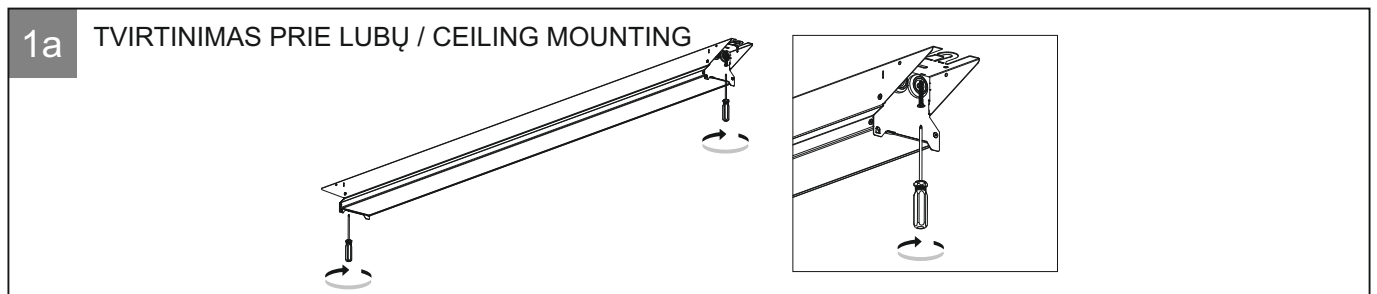
Tik kvalifikuotas personalas gali atlikti šviestuvo montavimą ir pajungimą.
The installation has to be carried out by an electrician or by any similarly qualified person.



	CCT	A,mm	B, mm	KG		CCT	A,mm	B, mm	KG
STEELO 1.4m 40W 840	4000K	1367	1184	3.3	STEELO 1.6m 80W 840	4000K	1653	1473	3.8
STEELO 1.4m 60W 840	4000K	1367	1184	3.3	STEELO 1.6m 110W 840	4000K	1653	1473	3.8



Automatic circuit breaker type	B10	B16	B20	C10	C16	C20	Inrush current	
Installation Ø	1.5 mm ²	1.5 mm ²	2.5 mm ²	1.5 mm ²	1.5 mm ²	2.5 mm ²	I _{max}	Time
STEELO 1.4m 40W	31	44	55	35	57	71	23A	176 µs
STEELO 1.4m 60W	20	30	37	22	36	45	40A	173 µs
STEELO 1.6m 80W	35	55	70	40	60	80	5A	37 µs
STEELO 1.6m 110W	22	35	44	24	39	48	15A	50 µs



STEELO

Montavimo instrukcija / Mounting instruction

