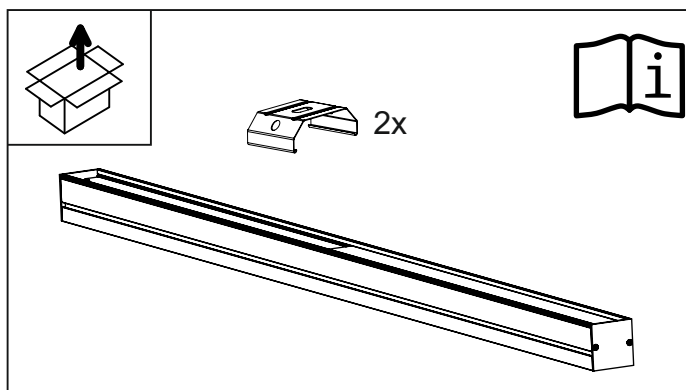


# S-LINE

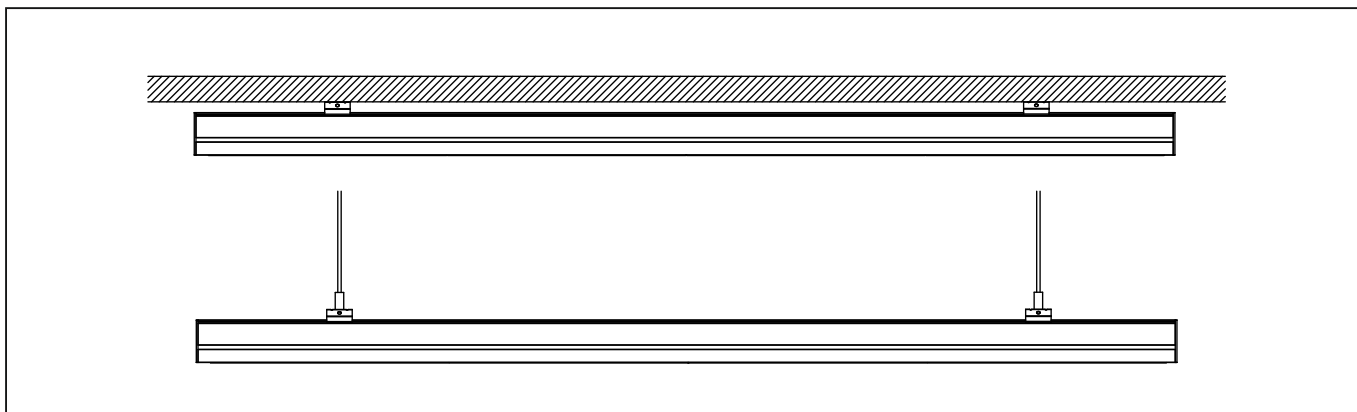
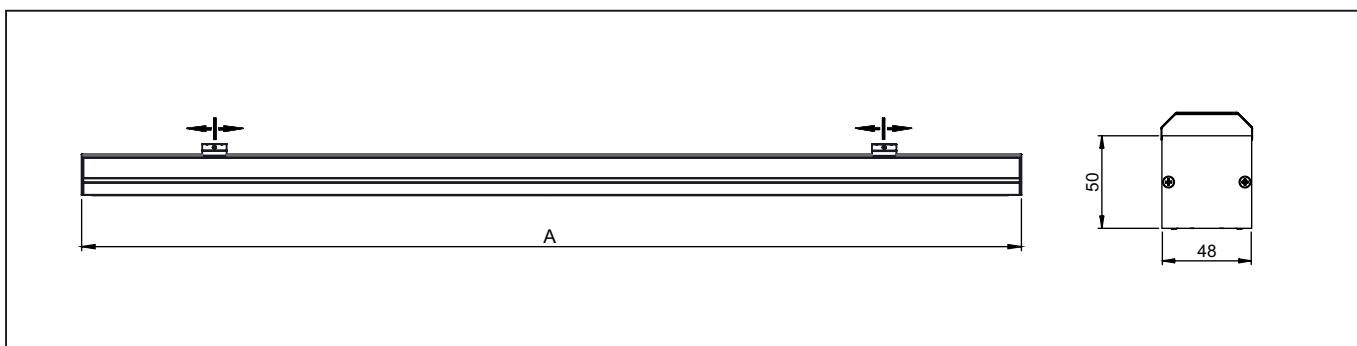
## Montavimo instrukcija / Mounting instruction



Tik kvalifikuotas personalas gali atlikti šviestuvo montavimą ir pajungimą.  
The installation has to be carried out by an electrician or by any similarly qualified person.



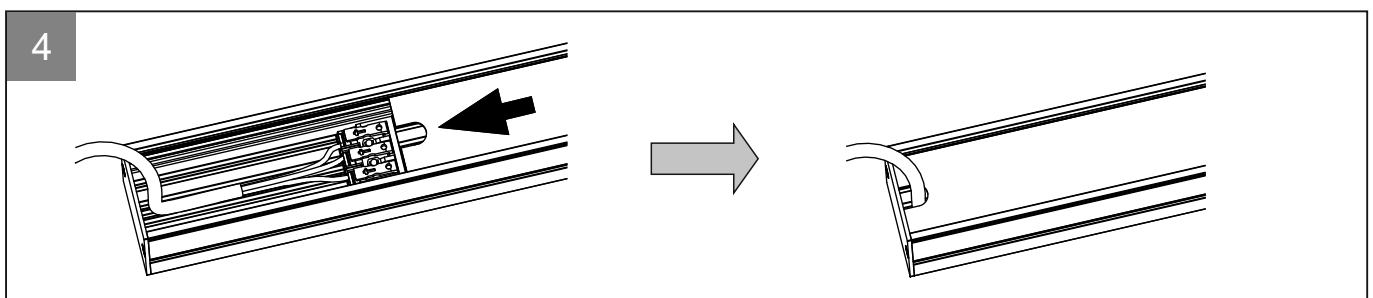
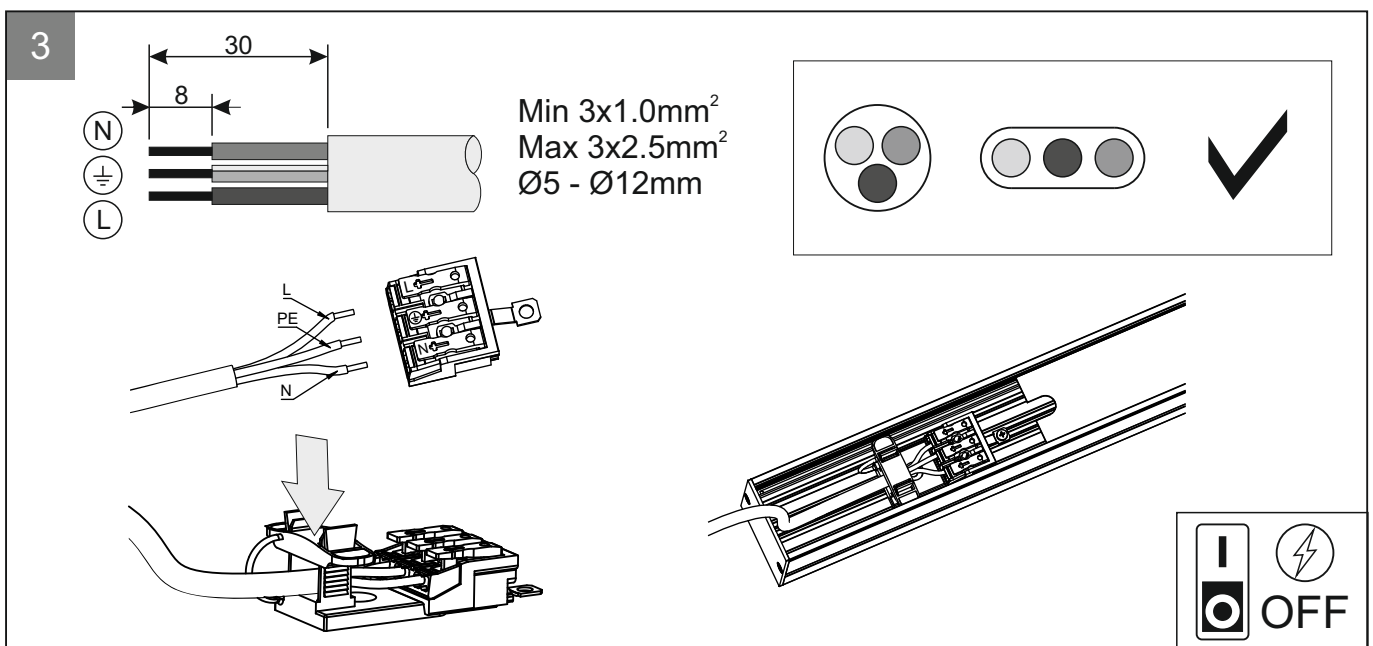
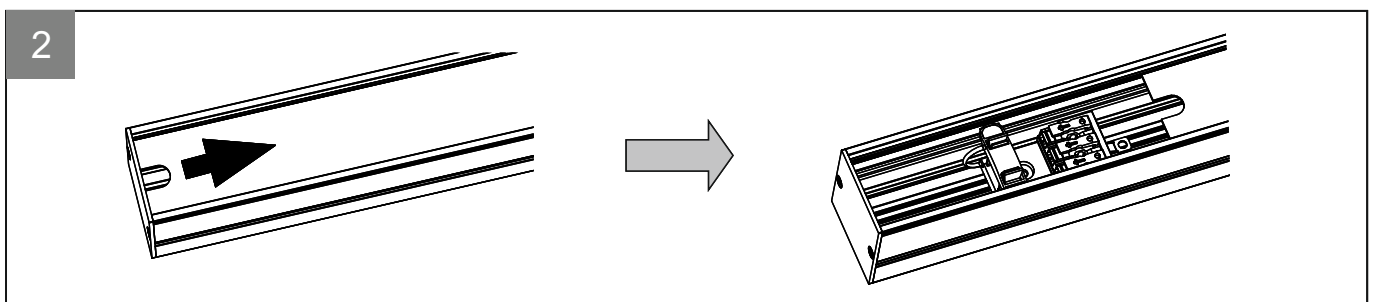
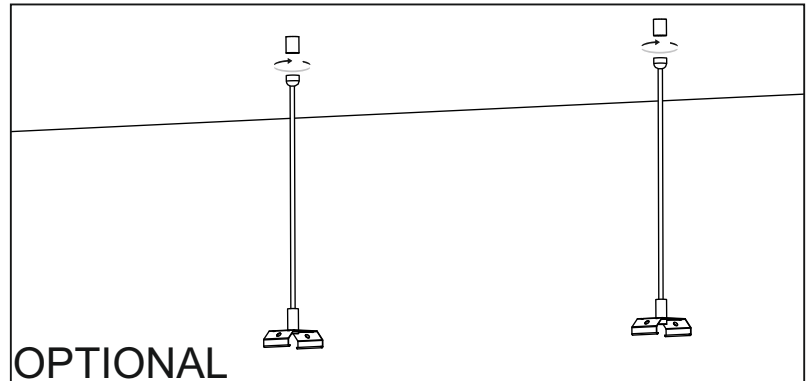
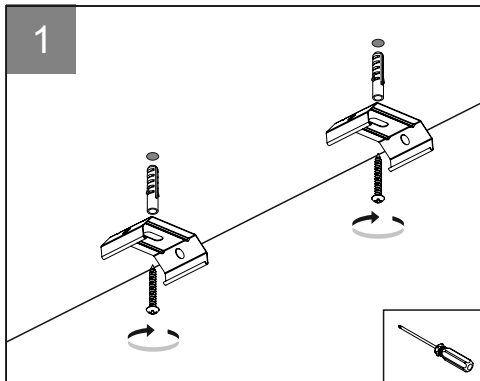
	A, mm	KG		A, mm	KG
S-LINE 1,2m 40-60W	1148	1.6	S-LINE 1,5m 60-80W	1430	1.9



Automatic circuit breaker type Installation Ø	B10	B16	B20	C10	C16	C20	Inrush current	
	1.5 mm <sup>2</sup>	1.5 mm <sup>2</sup>	2.5 mm <sup>2</sup>	1.5 mm <sup>2</sup>	1.5 mm <sup>2</sup>	2.5 mm <sup>2</sup>	I <sub>max</sub>	Time
S-LINE 1,2m 40W	22	35	44	36	59	74	33A	162 µs
S-LINE 1,2m 60W	13	22	27	22	36	45	33A	162 µs
S-LINE 1,5m 40W	22	35	44	36	59	74	33A	162 µs
S-LINE 1,5m 80W	10	16	20	16	26	33	39A	166 µs

# S-LINE

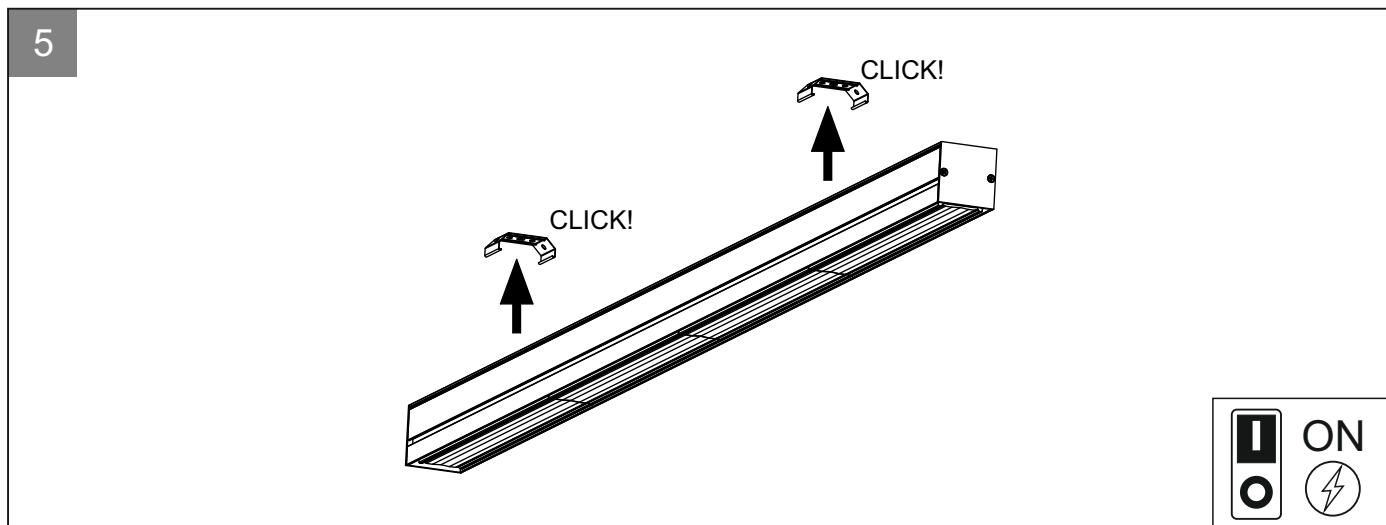
## Montavimo instrukcija / Mounting instruction



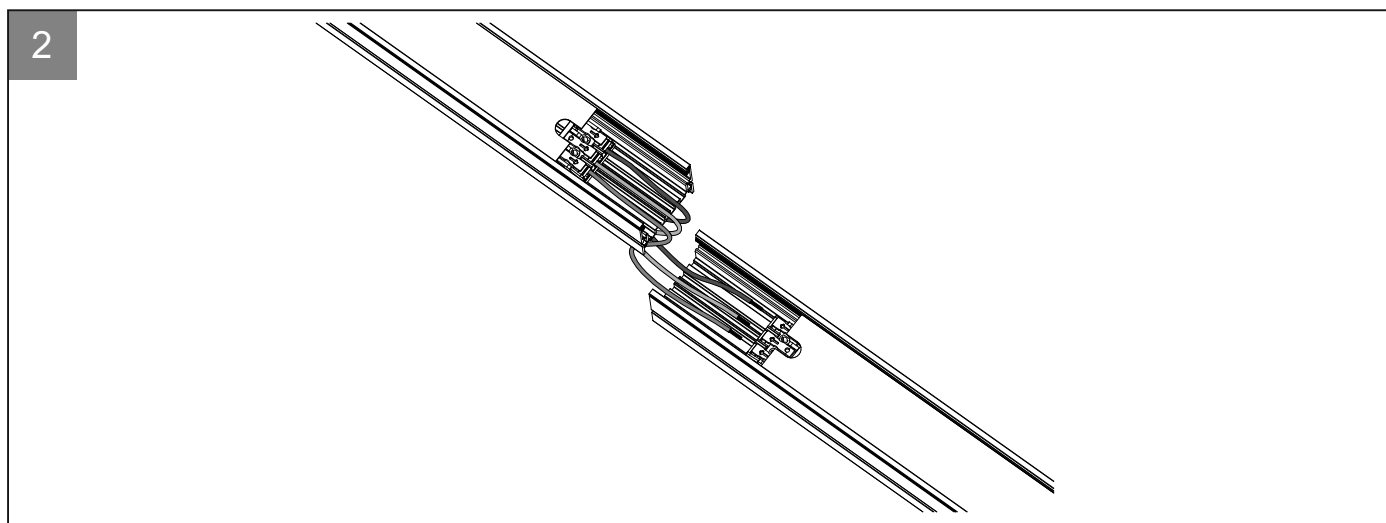
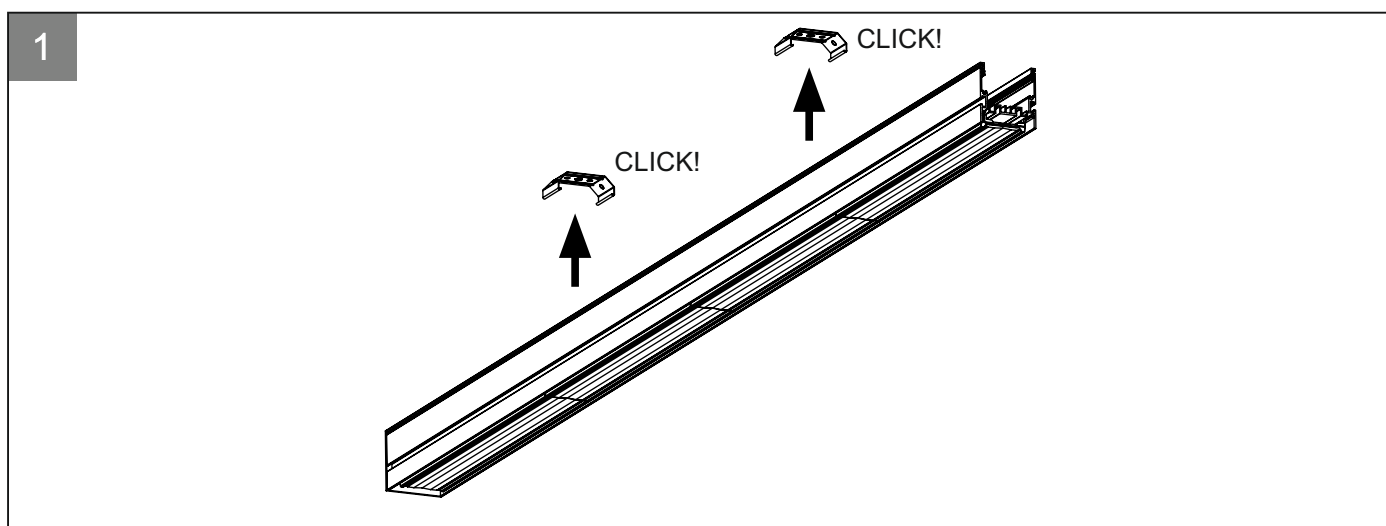
# S-LINE

Montavimo instrukcija / Mounting instruction

## Vienas šviestuvas / Single luminaire

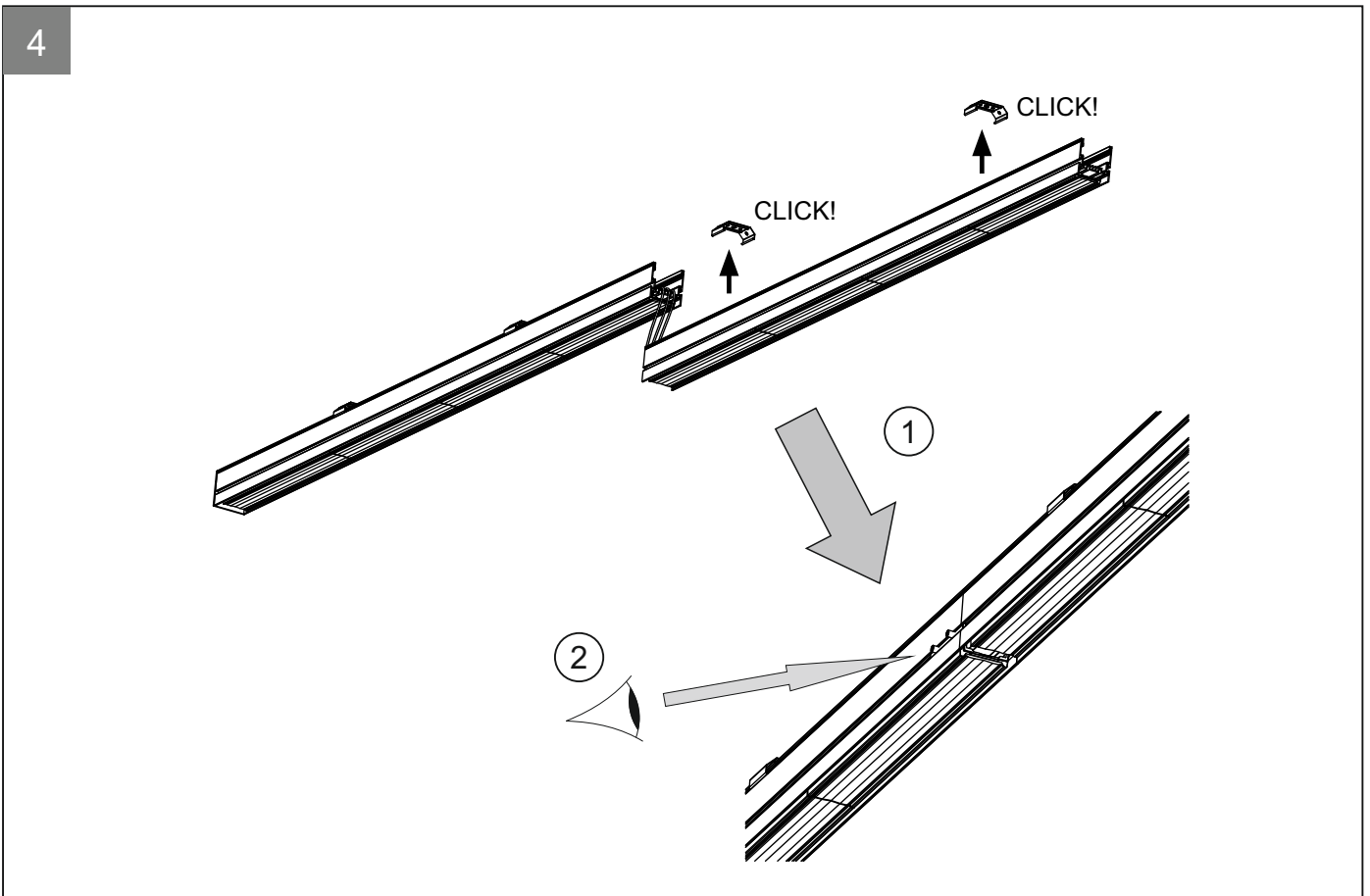
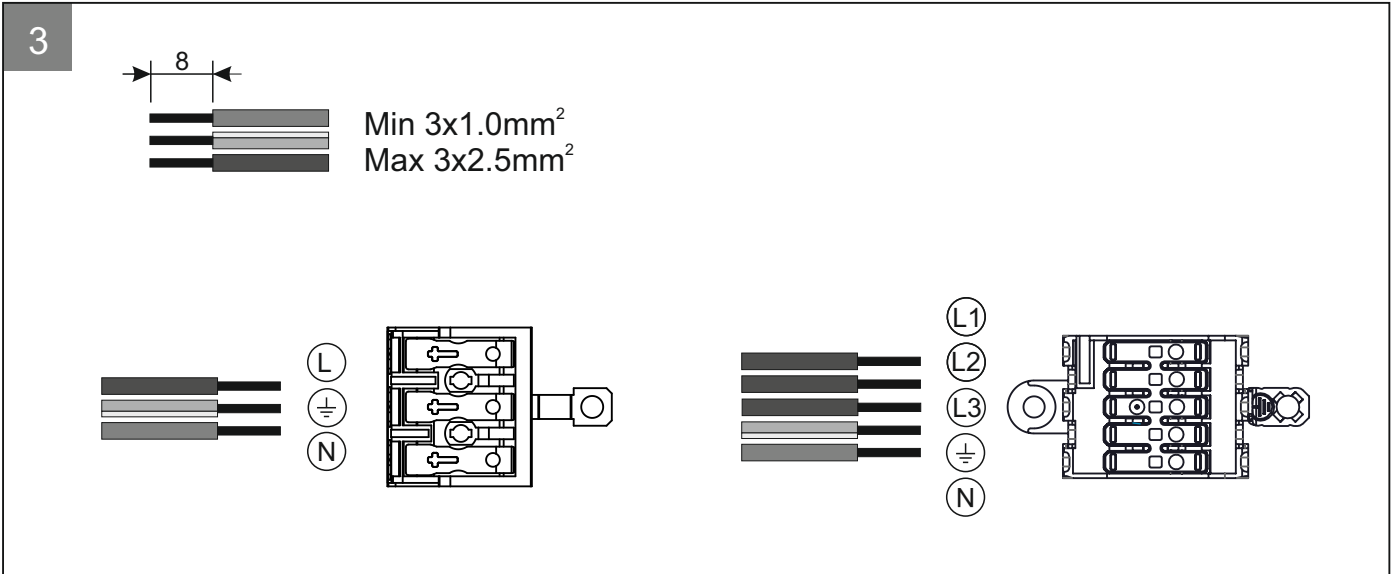


## Linijinė sistema / Linear system



# S-LINE

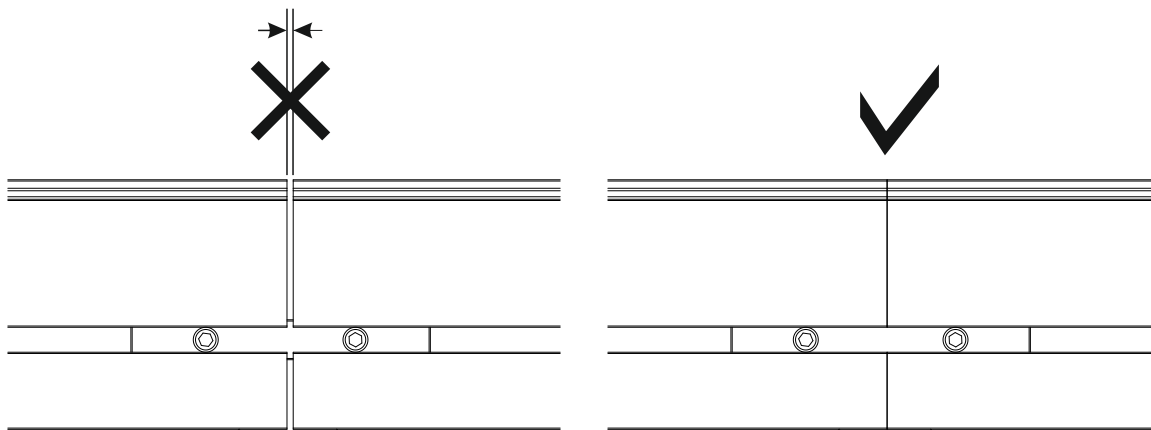
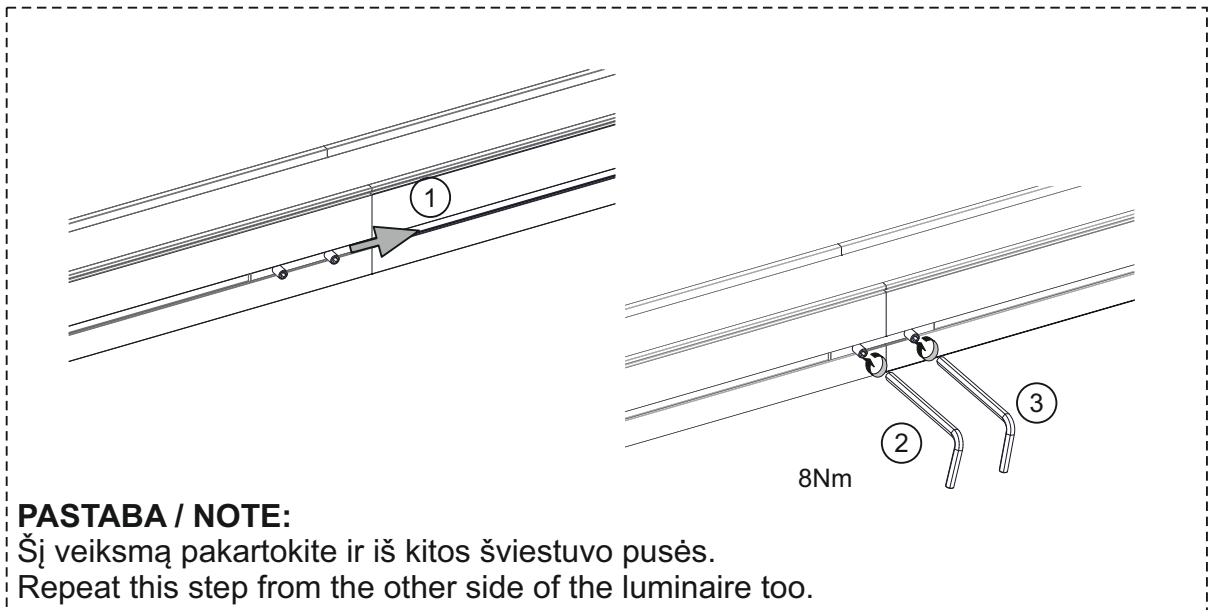
## Montavimo instrukcija / Mounting instruction



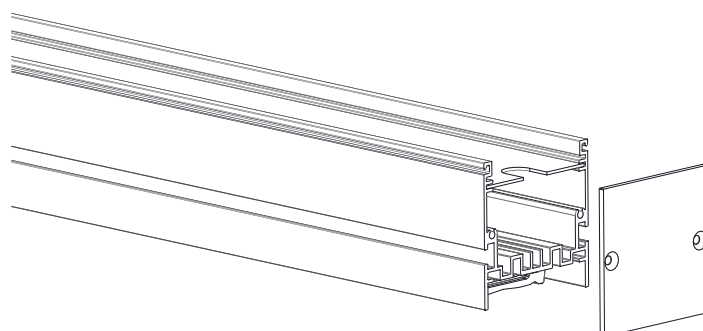
# S-LINE

## Montavimo instrukcija / Mounting instruction

5



6



Paskutinis šviestuvus eilėje.  
Last luminaire in the line.

