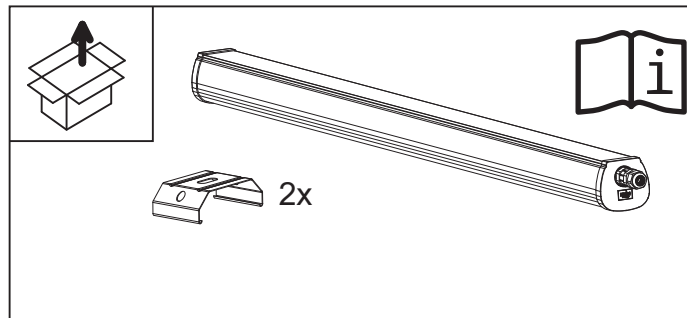
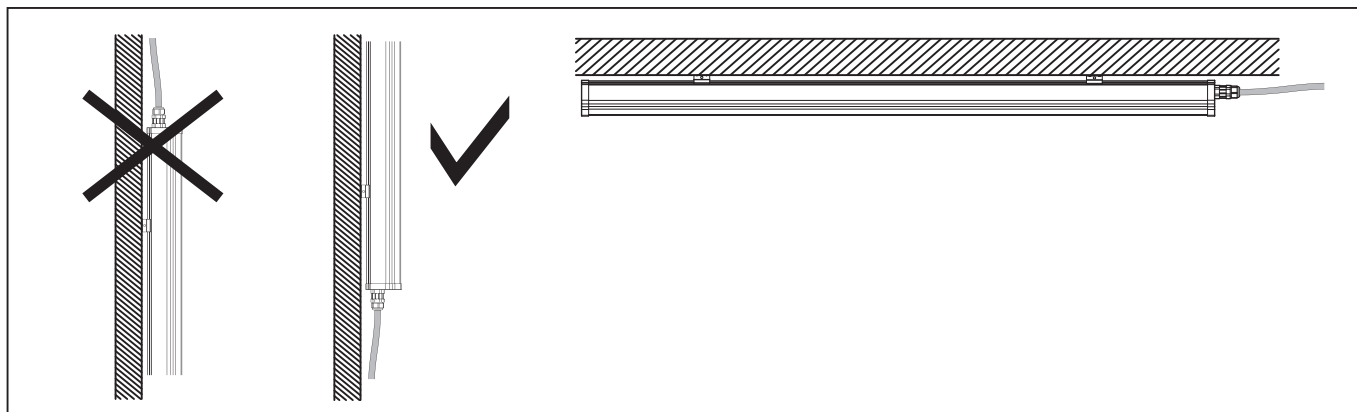
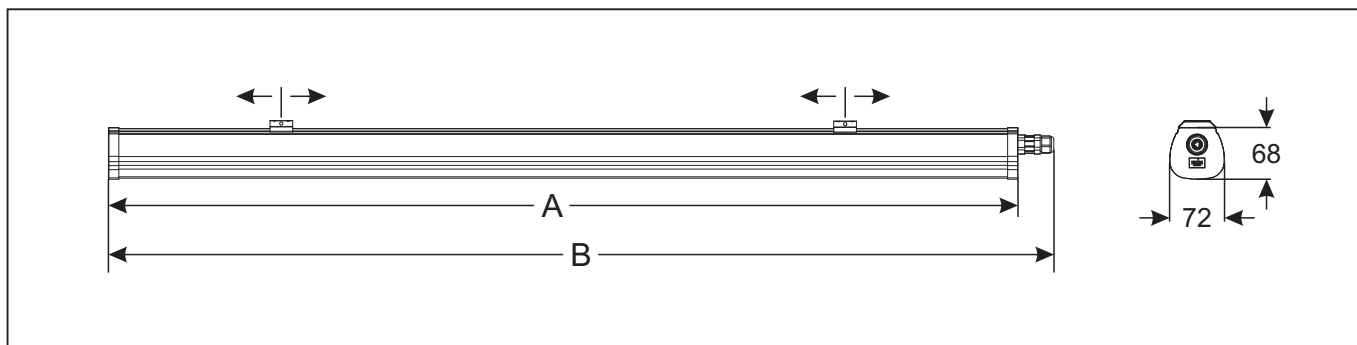




Tik kvalifikuotas personalas gali atlikti šviestuvo montavimą ir pajungimą.
The installation has to be carried out by an electrician or by any similarly qualified person.



	CCT	A, mm	B, mm	KG		CCT	A, mm	B, mm	KG
LEDIS OPAL 1,2m 40W 830	3000K	1200	1250	1,2	LEDIS PRO 1,2m 40W 830	3000K	1200	1250	1,6
LEDIS OPAL 1,2m 40W 840	4000K	1200	1250	1,2	LEDIS PRO 1,2m 40W 840	4000K	1200	1250	1,6
LEDIS OPAL 1,2m 40W 850	5000K	1200	1250	1,2	LEDIS PRO 1,2m 40W 850	5000K	1200	1250	1,6
LEDIS OPAL 1,5m 60W 830	3000K	1500	1550	1,5	LEDIS PRO 1,5m 60W 830	3000K	1500	1550	2,0
LEDIS OPAL 1,5m 60W 840	4000K	1500	1550	1,5	LEDIS PRO 1,5m 60W 840	4000K	1500	1550	2,0
LEDIS OPAL 1,5m 60W 850	5000K	1500	1550	1,5	LEDIS PRO 1,5m 60W 850	5000K	1500	1550	2,0



Automatic circuit breaker type	B10	B16	B20	C10	C16	C20	Inrush current	
	1.5 mm ²	1.5 mm ²	2.5 mm ²	1.5 mm ²	1.5 mm ²	2.5 mm ²	I _{max}	Time
LEDIS OPAL 1,2m 40W	31	44	55	35	57	71	23A	176 μs
LEDIS OPAL 1,5m 60W	20	30	37	22	36	45	40A	173 μs
LEDIS PRO 1,2m 40W	35	55	70	40	60	80	5A	37 μs
LEDIS PRO 1,5m 60W	22	35	44	24	39	48	15A	50 μs

