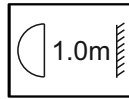
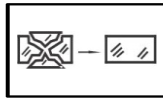


# ARENA series LED floodlight

## Mounting instruction



### IMPORTANT SAFEGUARDS READ AND FOLLOW ALL SAFETY INSTRUCTIONS

1. The luminaire is not allowed to be placed in the water or close to fire resource and high temperature place.
2. Before installing this fixture or doing any maintenance, make sure to turn off the power supply at the circuit breaker or fuse box.
3. Make sure that the luminaire is not damaged before install and use. If the glass is broken or damaged it must be replaced.
4. Only the authorized electrician can install the luminaire, and the wire should comply with the national standards.
5. The input cable: 3 cores with the min cross-sectional area of the conductor 1.5 mm<sup>2</sup>. Recommended type H07RNF. The input cable should meet requirements of IEC 60227 or IEC 60245.
6. If the external flexible cable or cord of this luminaire is damaged, it shall be exclusively replaced by the manufacturer or his service agent in order to avoid a hazard.
7. Check to make sure that all the fixture connections have been properly made and the fixture is grounded to avoid potential electrical shocks.
8. The light source of luminaire is non-user replaceable. It can only be replaced by the manufacturer or his service agent.



**Caution, Risk of Electric Shock.** Disconnect all power sources before servicing.

### MAINTENANCE OF LUMINAIRE

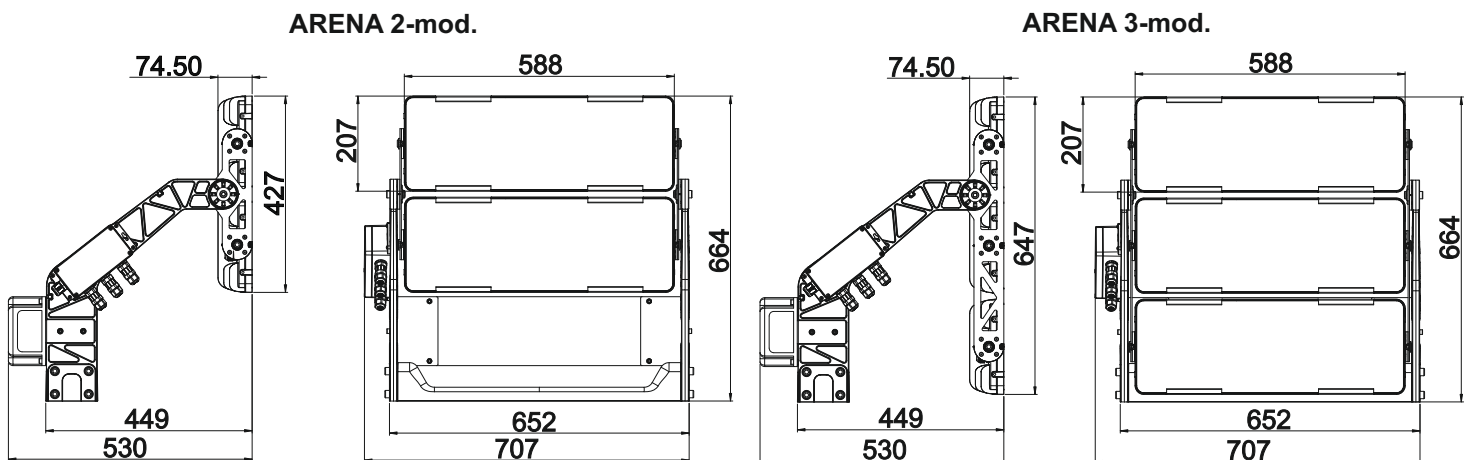
Maintenance of luminaire must be done according the standard CIE 154-2003.

Recommended period of maintenance - every 3-4 years.

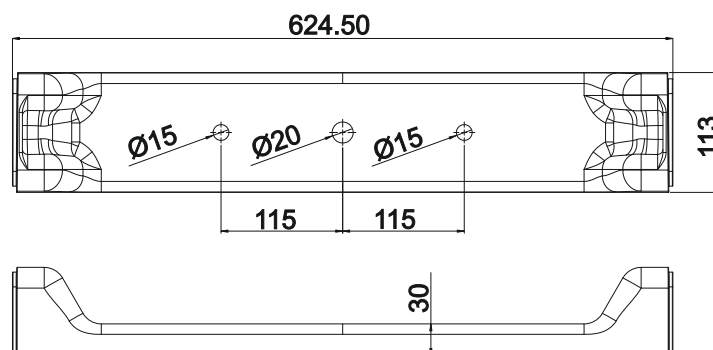
Cleaning must be done with soft material and soapy water.

Do not use aggressive chemicals or solvents!

### Product dimensions:

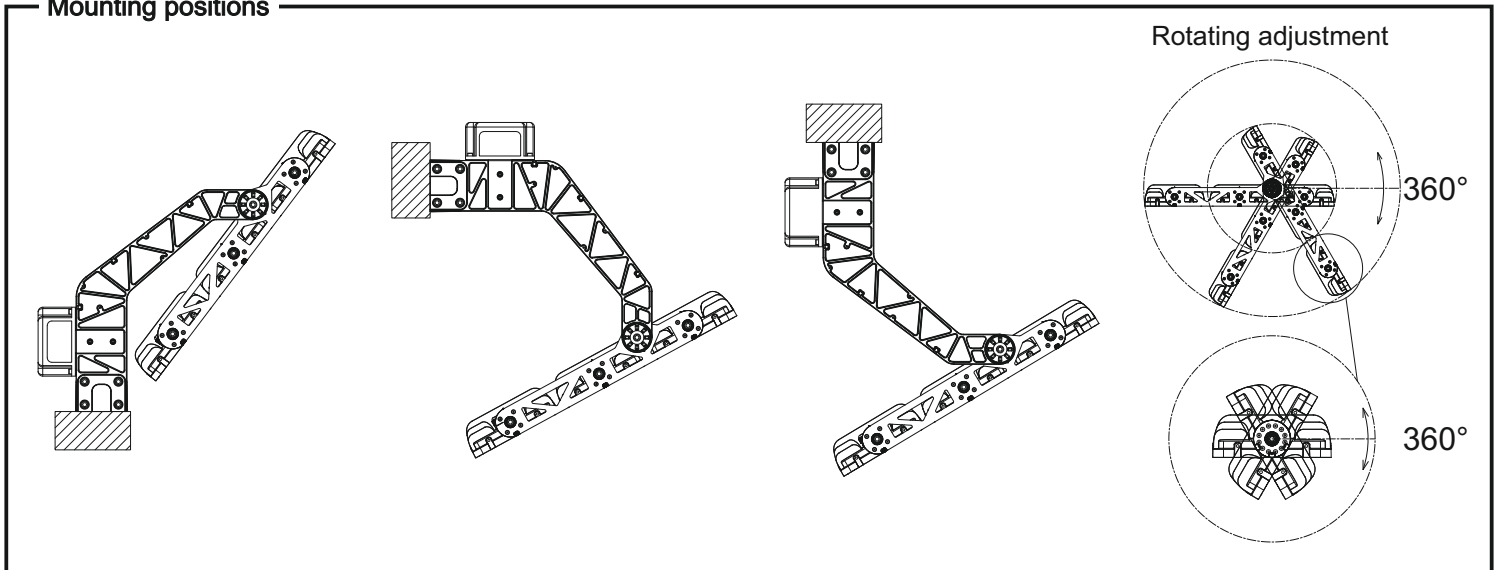


### Mounting base dimensions:



# ARENA series LED floodlight

## Mounting positions



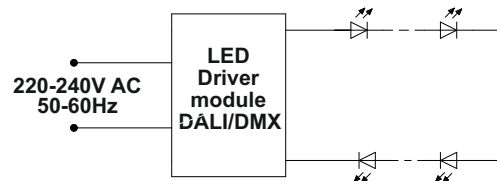
Projected max area for the wind load, m<sup>2</sup>:

Angle to the ground	0°	15°	30°	45°	60°	75°	90°
ARENA 2-mod. without driver	0.07	0.13	0.19	0.23	0.27	0.29	0.30
ARENA 2-mod. with driver	0.16	0.22	0.28	0.32	0.36	0.38	0.39
ARENA 3-mod. without driver	0.07	0.16	0.25	0.32	0.38	0.41	0.42
ARENA 3-mod. with driver	0.16	0.25	0.32	0.34	0.38	0.41	0.42

Parameter table:	ARENA 2-mod.	ARENA 3-mod.
LED quantity	192 - 240	288 - 360
Power	600 - 1000W	900 - 1500W
Weight without driver	23.8 kg	32.4 kg

Driver weight including fixing parts - 6.9kg.

Electrical scheme:

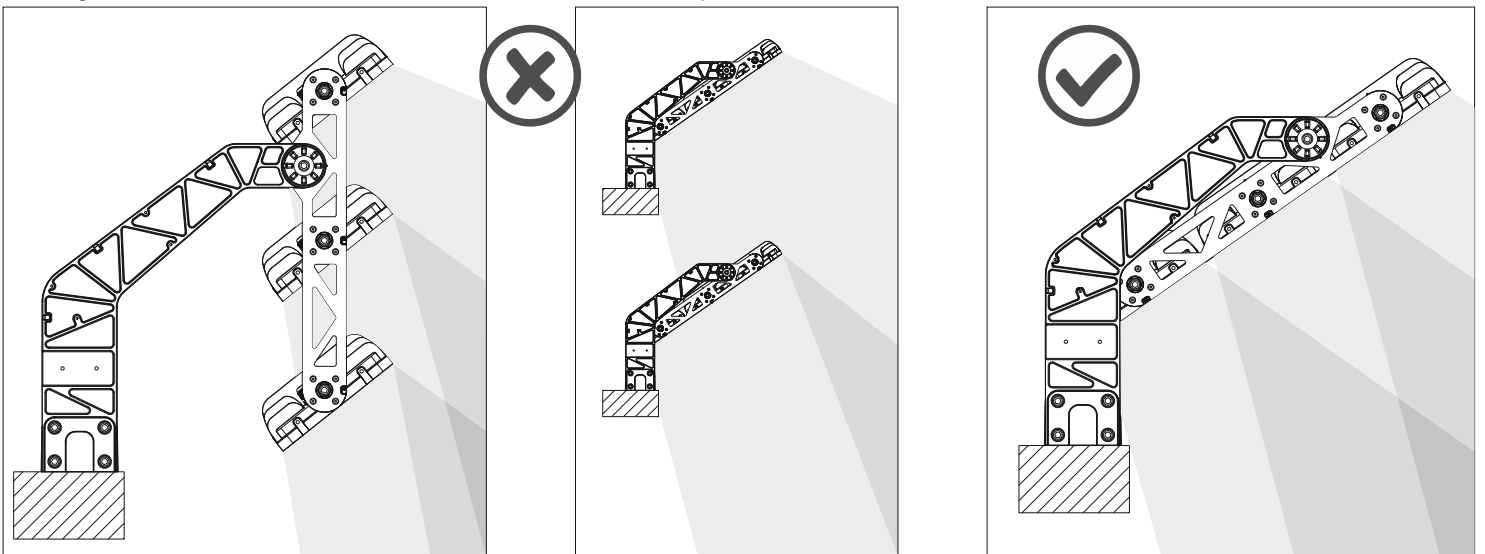


Inrush current

MCB	B/C 10A	B/C 16A	B/C 20A	B/C 25A	B/C 32A	I <sub>peak</sub> , A	Duration
ARENA 2-head	1	2	3	3	4	20	1.32 ms
ARENA 3-head	1	1	2	2	3	20	1.32 ms

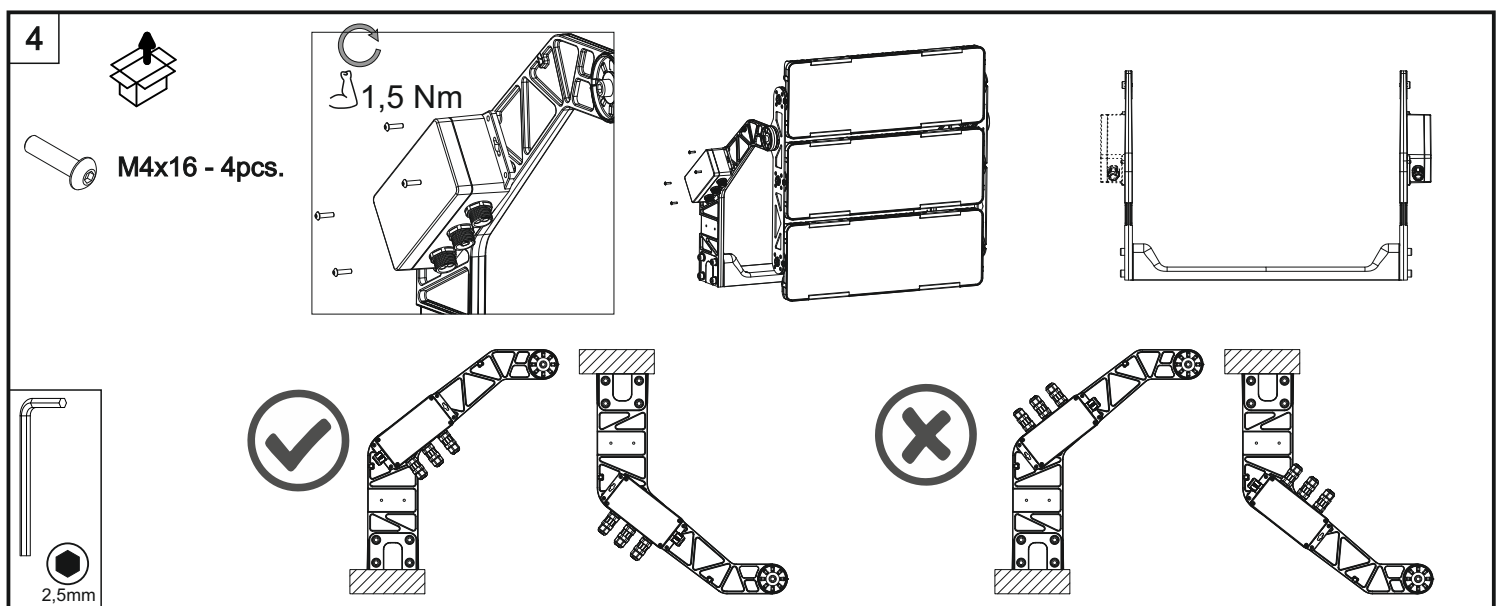
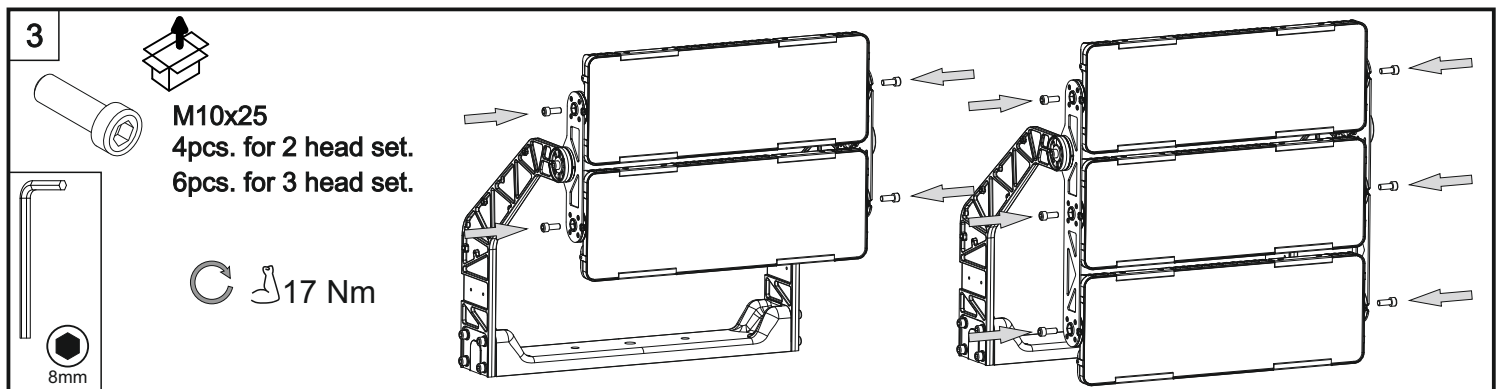
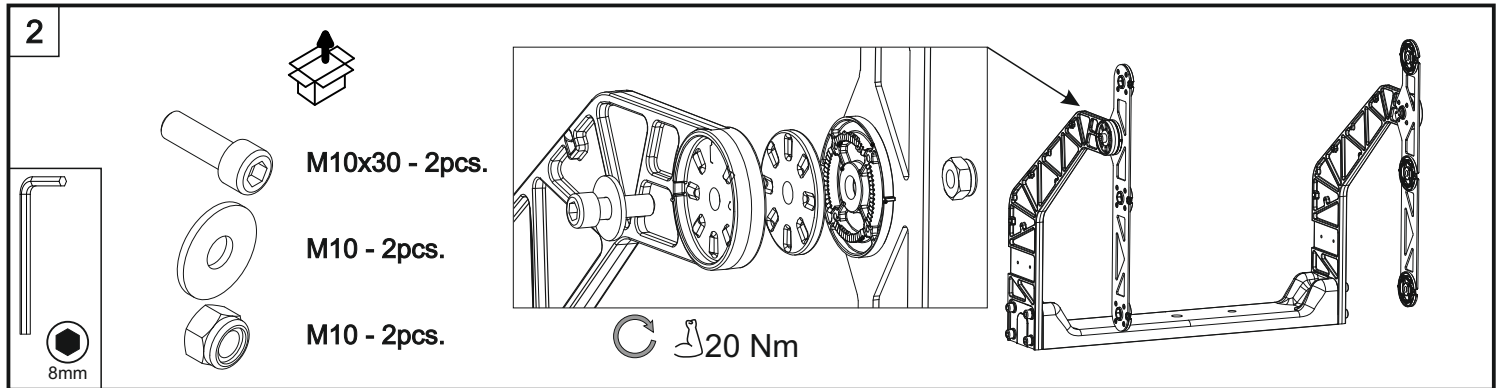
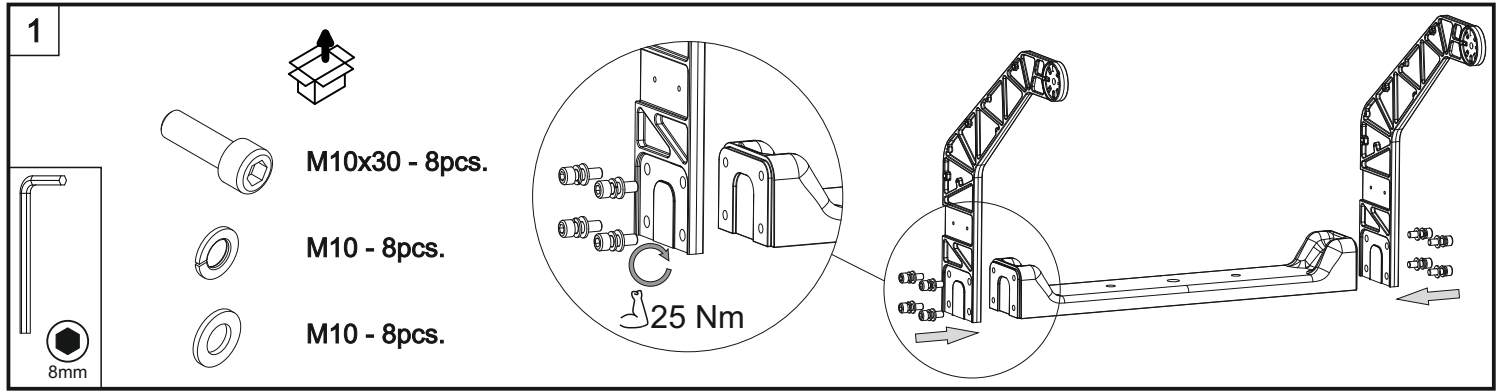
Wrong positioning.

The light source cannot be directed to other luminaire or its parts.



# ARENA series LED floodlight

## Assembling



# ARENA series LED floodlight

## Assembling

**5**

Skip this step if the driver installation location is different.

- M6x16 - 8pcs.
- M6 - 4pcs.
- M6 - 4pcs.
- M6 - 4pcs.

15 Nm

15 Nm

15 Nm

5mm SW10

## Wire connection

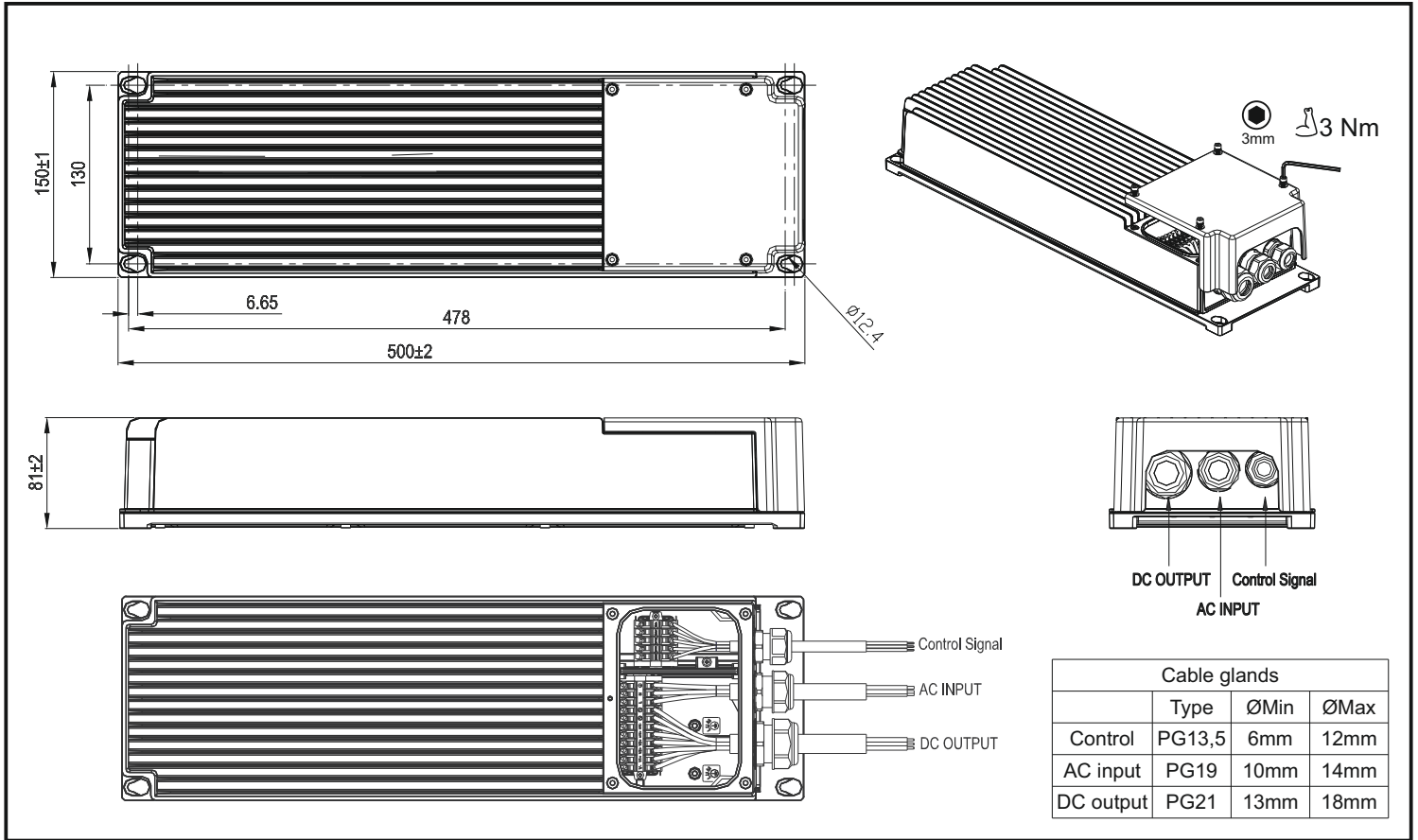
**6**

Connect quick connectors to cable connection box. Number of connectors depends on quantity of LED heads. Cables from LED heads are pre-connected.

Use cable ties to fix cables.

# ARENA series LED floodlight

Power supply: Type A



OUTPUT From cable connection box

MAINS L N PE

CONTROL DALI/DMX

Connect cables to driver according wiring schemes and connection markings in the driver terminal block

Ø 6-18

Cable min size: 2x1.5 mm<sup>2</sup>  
3x1.5 mm<sup>2</sup>  
4x1.5 mm<sup>2</sup>  
5x1.5 mm<sup>2</sup>

The input cable should meet the requirement of IEC 60227 or IEC 60245  
Recommended cable type: H07RNF

If the driver installation location is different, use an IP protected cable connector to extend cable from junction box to driver. Connector included.

**Connection scheme for 2 head set.**

OUTPUT HEAD1 LED HEAD2 LED

MAINS L N PE

CONTROL DMX DALI

**Connection scheme for 3 head set.**

OUTPUT HEAD1 LED HEAD2 LED HEAD3 LED

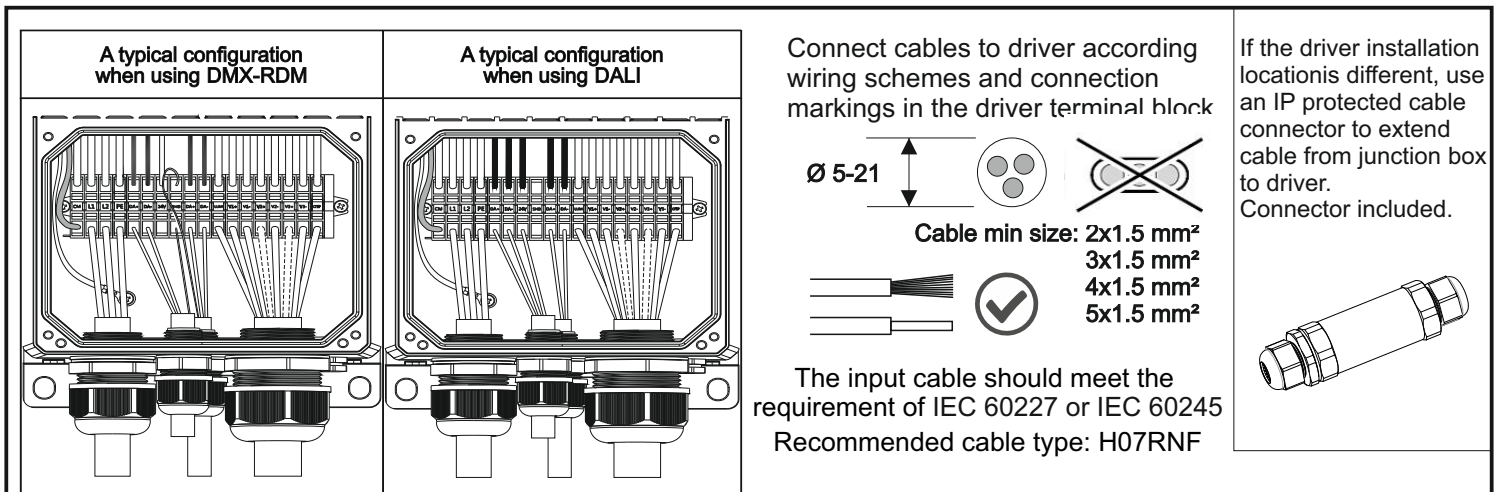
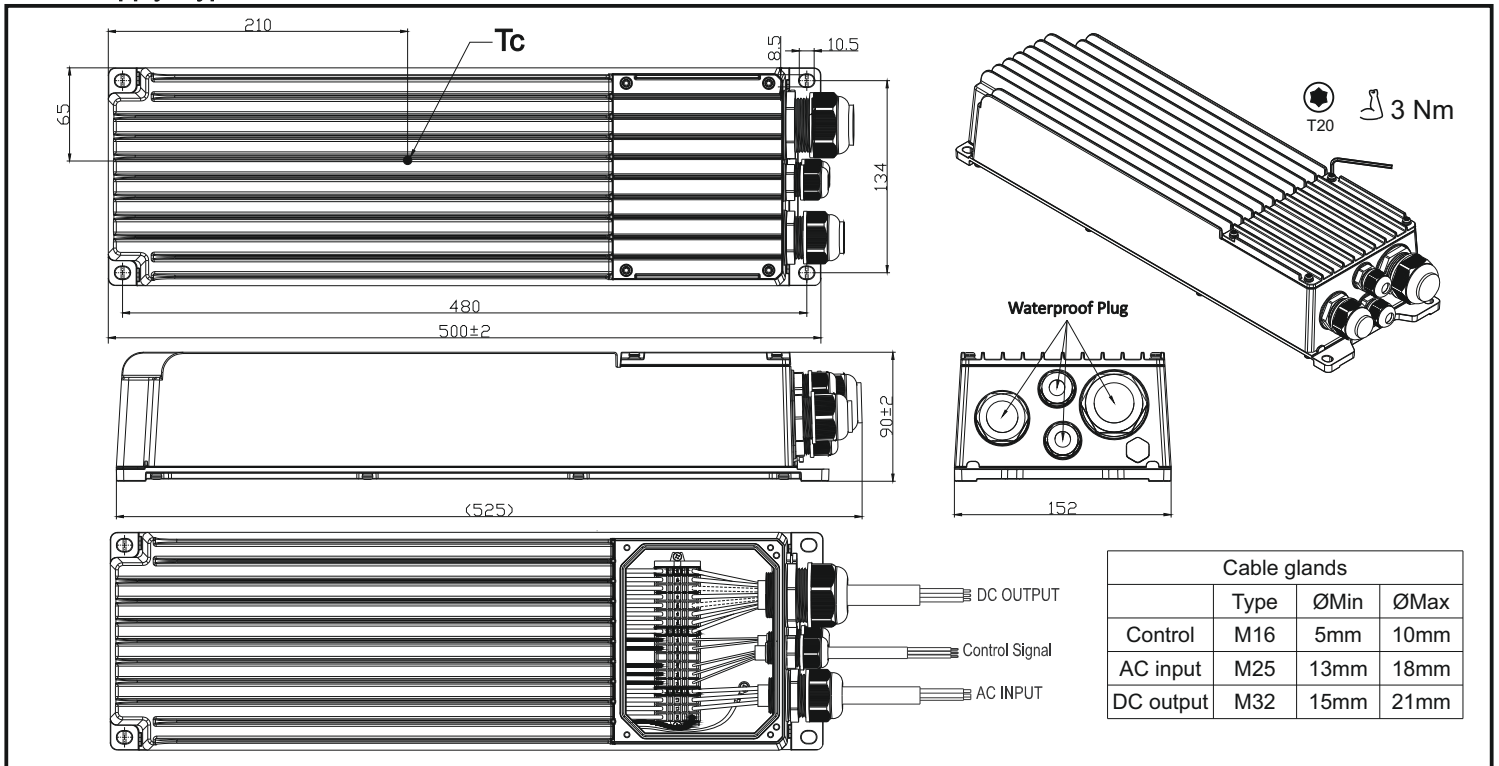
MAINS L N PE

CONTROL DMX DALI

**WARNING:** Please make sure the power off before operation.

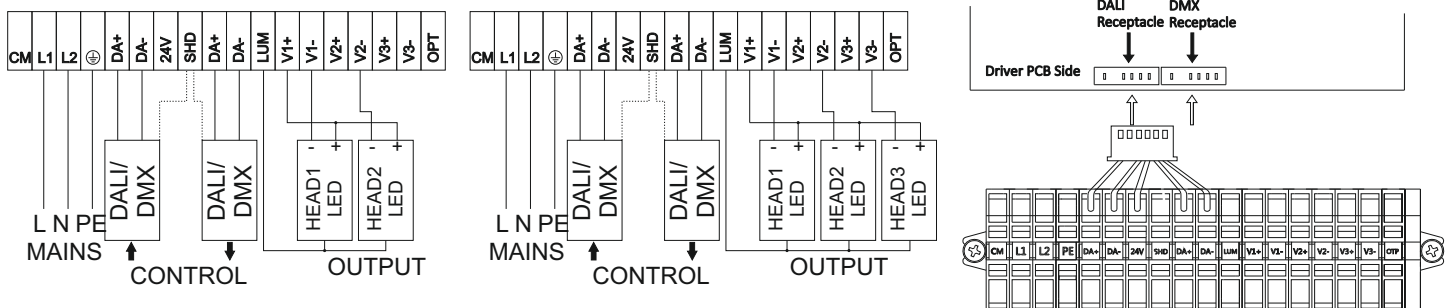
# ARENA series LED floodlight

Power supply: Type B



Connection scheme for 2 head set.

Connection scheme for 3 head set.



**WARNING:** Please make sure the power off before operation.